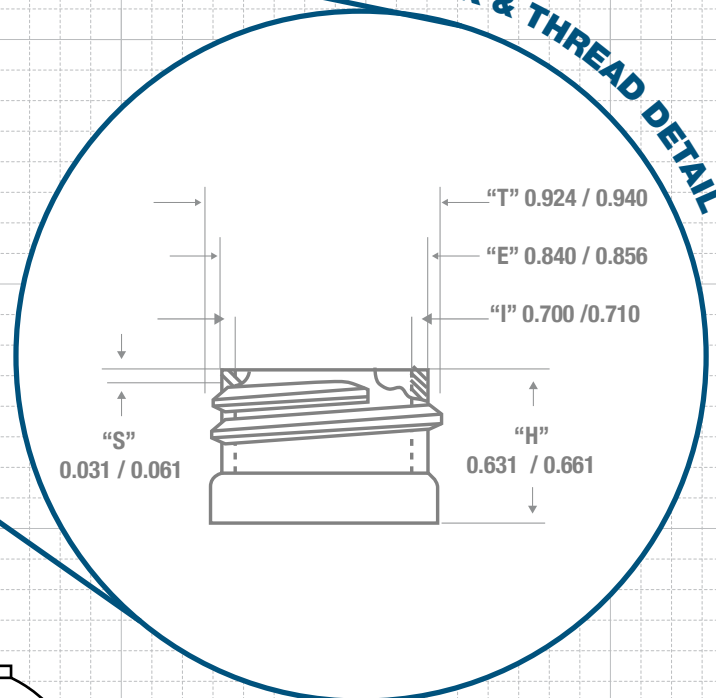
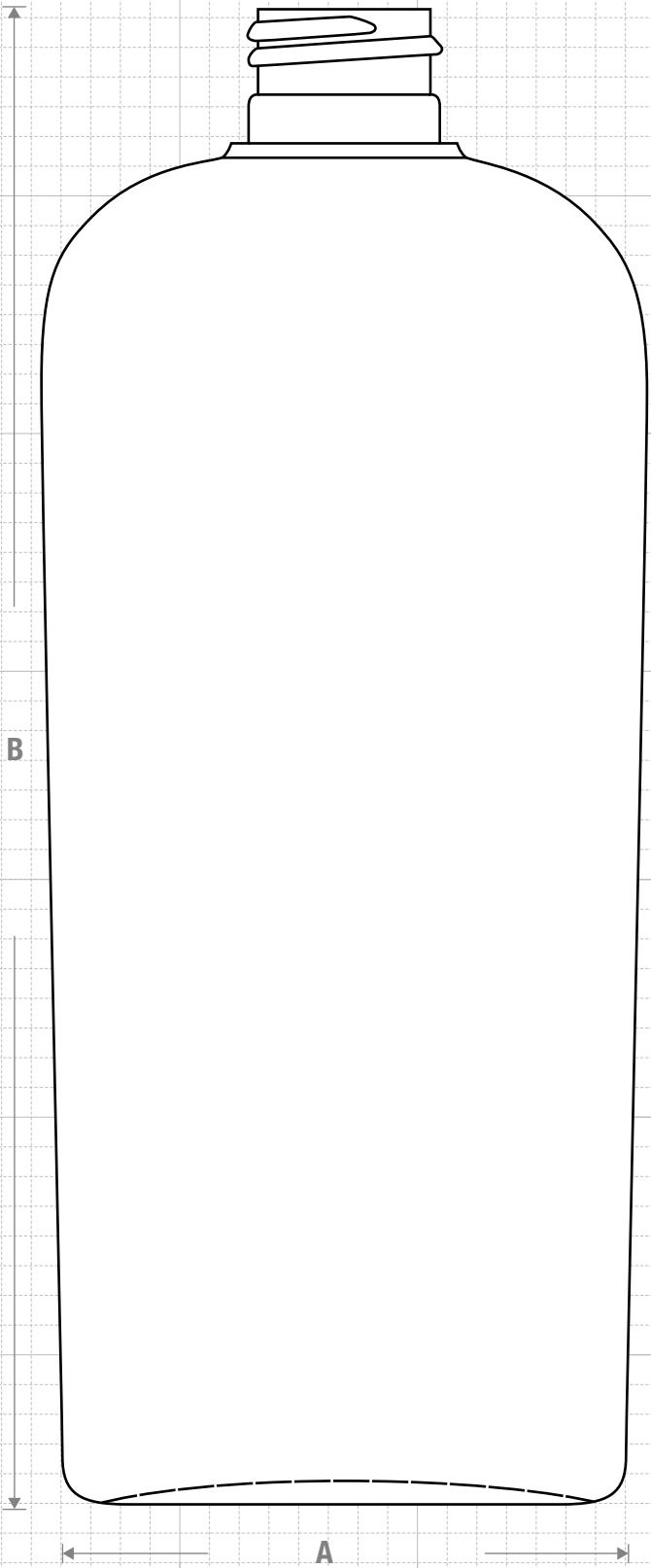




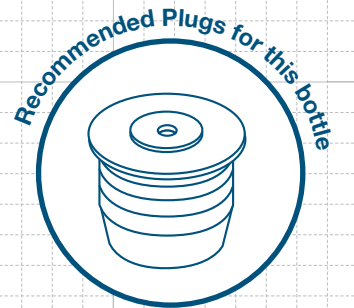
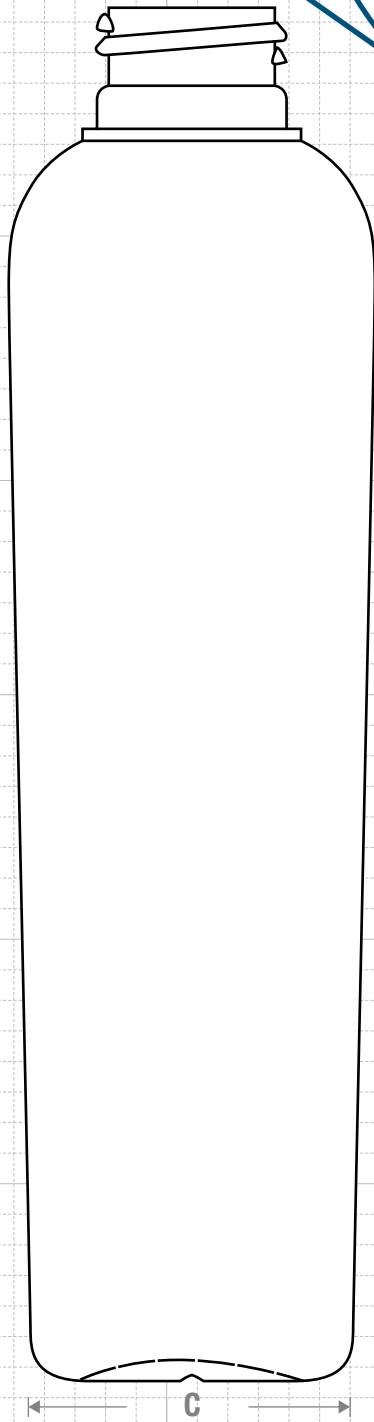
NECK & THREAD DETAIL



FRONT VIEW

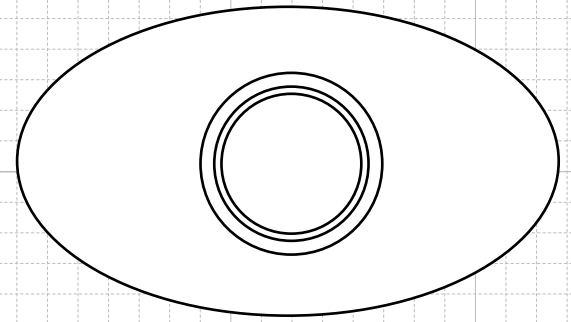


SIDE VIEW

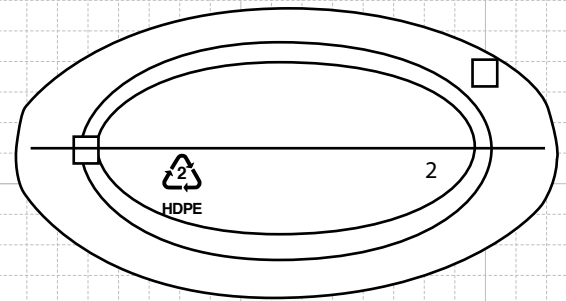


FRICTION FIT

TOP VIEW



BOTTOM VIEW



CLASSIC CONTAINERS INC
 1700 S. Hellman Ave.
 Ontario, CA 91761
 Phone: 909-930-3610
 e-mail: info@classiccontainers.com
 www.classiccontainers.com

Drawing:
16 oz Classic Oval 24/410

Gram Weight:
33 ± 2

Max Print Area (Height):
5.500"

Cases Per Pallet: **16**

Stock Code:
001600230240000

Neck Finish:
24/410

Max Print Area (Width):
2.500"

Box Dimensions:
24 7/16 x 18 1/2 x 23

Manufacturing Process:
Extrusion Blow Molding

Base Width (A): Base Deep (C)
3.049 ± 0.050 1.702 ± 0.050

Case Pack: **196**

Stock Material:

Overflow Capacity:
496 - 519 ml (16.8 - 17.6 oz)

Overall Height (B):
8.000 ± 0.050

Case Weight (lb): **17.1 ± 0.9**

Rev #3 - 06/2016

Drawing not exactly to size.

