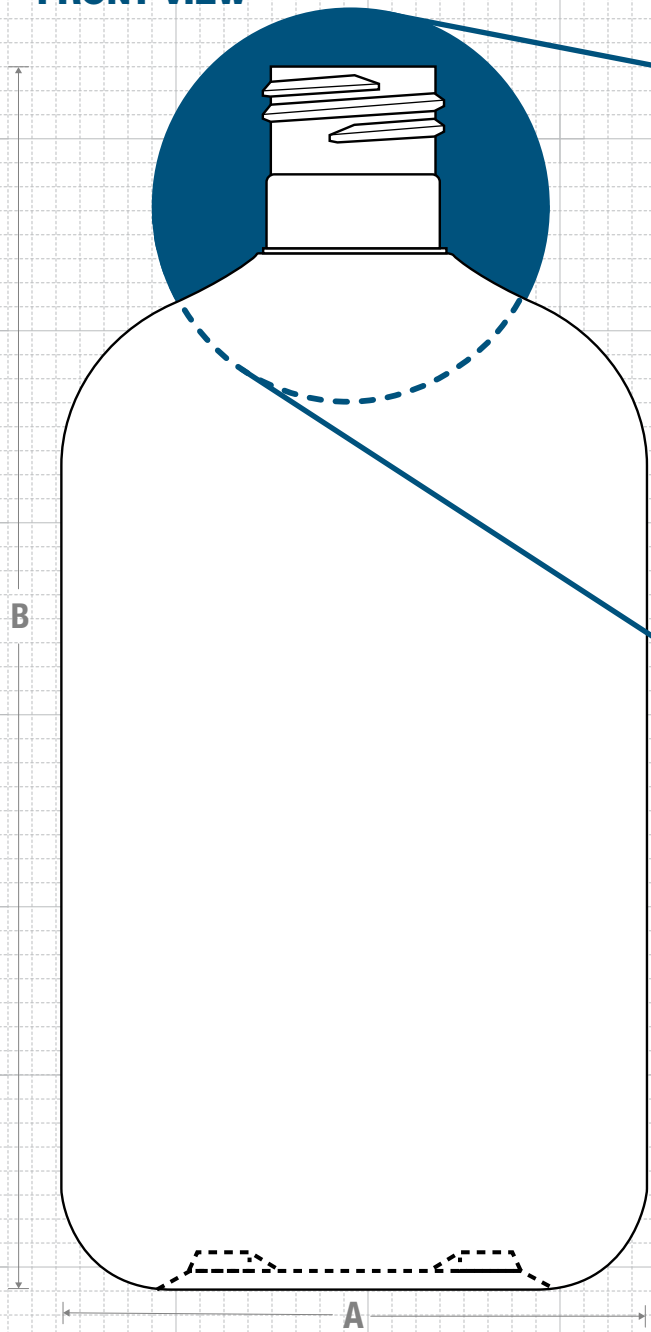
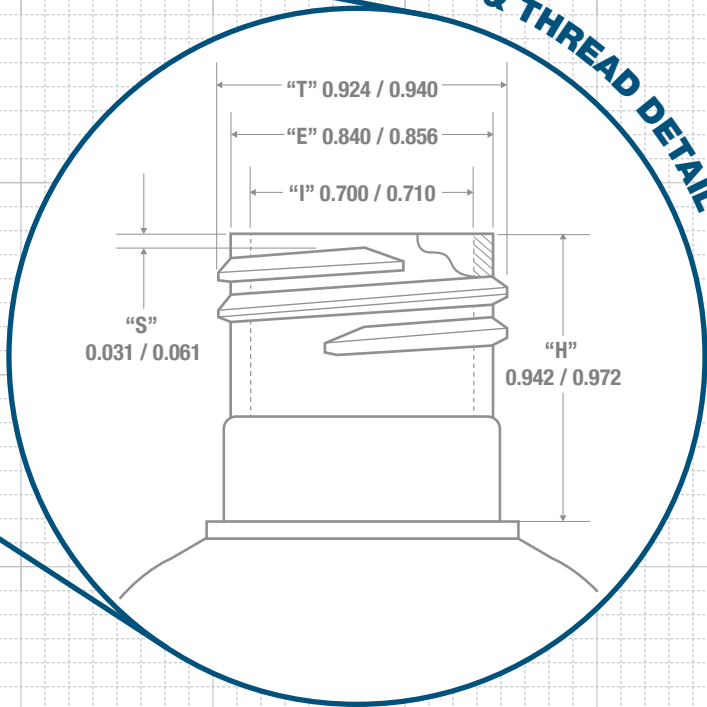


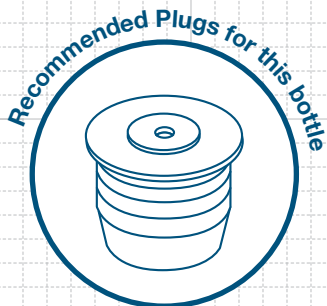
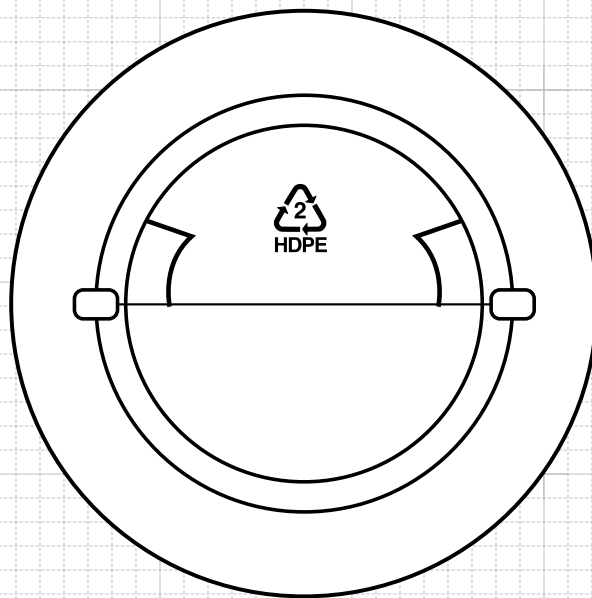
FRONT VIEW



NECK & THREAD DETAIL



BOTTOM VIEW



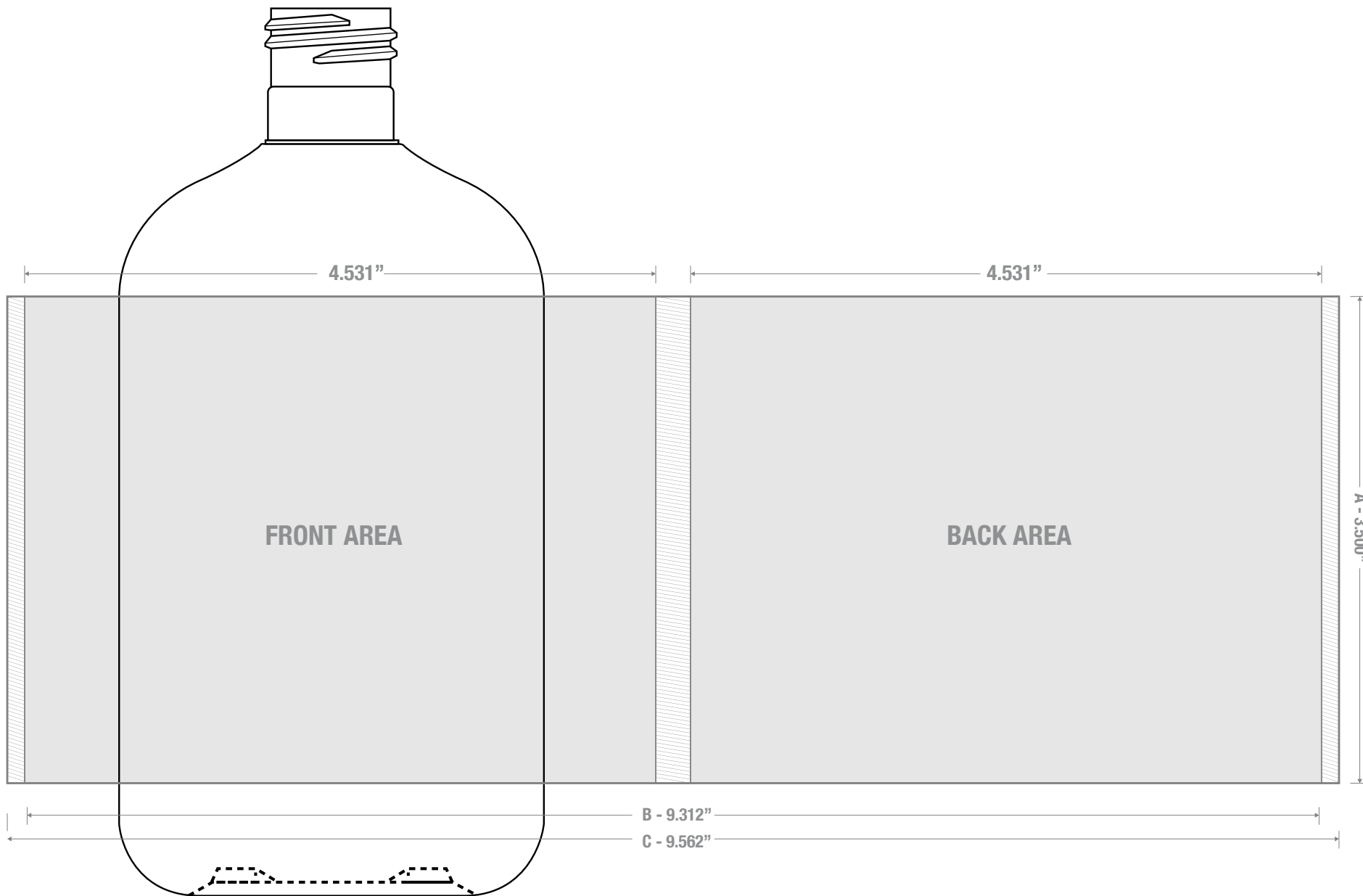
FRICION FIT



CLASSIC CONTAINERS INC
 1700 S. Hellman Ave.
 Ontario, CA 91761
 Phone: 909-930-3610
 e-mail: info@classiccontainers.com
 www.classiccontainers.com

Drawing: 16 oz Boston Round 24/415	Gram Weight: 34 ± 2	Max Print Area (Height): 3.500"	Cases Per Pallet: 16
Stock Code: 001600060250000	Neck Finish: 24/415	Max Print Area (Width): 9.312"	Box Dimensions: 24 x 18 x 23
Manufacturing Process: Extrusion Blow Molding	Base Width (A): 3.050 ± 0.050	Case Pack: 198	Stock Material: HDPE
Overflow Capacity: 555 - 578 ml (18.8 - 19.6 oz)	Overall Height (B): 6.360 ± 0.050	Case Weight (lb): 17.7 ± 0.9	Rev #1 - 07/20/2016 Drawing not exactly to size.

PRINTING SPECIFICATIONS: 16 oz BOSTON ROUND



1700 S Hellman Ave, Ontario, California 91761
Phone: (909) 930-3610 | Fax: (909) 930-3640
e-mail: info@classiccontainers.com
www.classiccontainers.com

A - Total Height.
B - Max. Decorating Area.
C - Total bottle circumference.
▨ - Unprintable area.

LABELING SPECIFICATIONS: 16 oz BOSTON ROUND



1700 S Hellman Ave, Ontario, California 91761
Phone: (909) 930-3610 | Fax: (909) 930-3640
e-mail: info@classiccontainers.com
www.classiccontainers.com

A - Total Height.
B - Max. Decorating Area.