



Drawing:
150 ml Boston Round 24/410

Stock Code:
015000060241700

Manufacturing Process:
Stretch Blow Molding

Overflow Capacity:
153 - 165 ml (5.2 - 5.6oz)

Gram Weight:
15 ± 1

Neck Finish:
24/410

Base Width (A):
2.040 ± 0.050

Overall Height (B):
3.840 ± 0.050

Max Print Area (Height):
2.240"

Max Print Area (Width):
5.809"

Case Pack: 336

Case Weight (lb): 13.3 ± 0.7

Cases Per Pallet: 25

Box Dimensions:
23 5/8 x 15 9/16 x 17

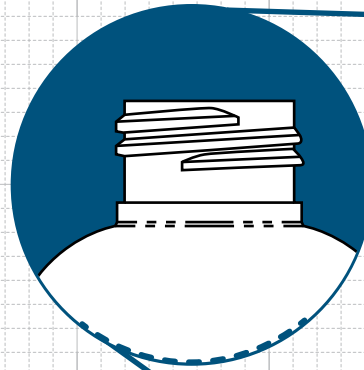
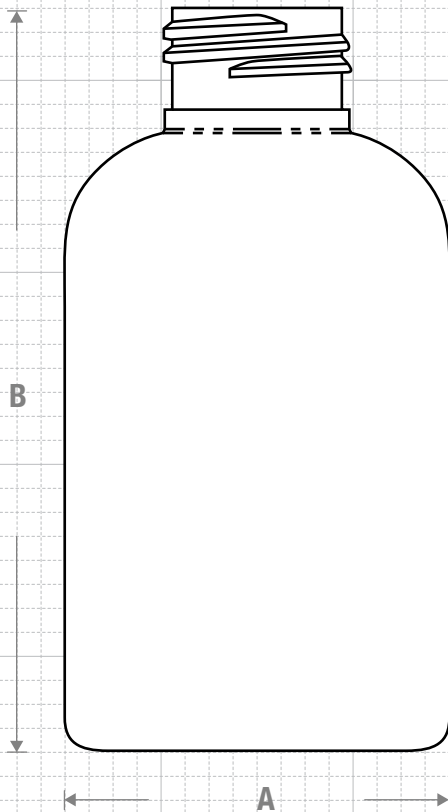
Stock Material:



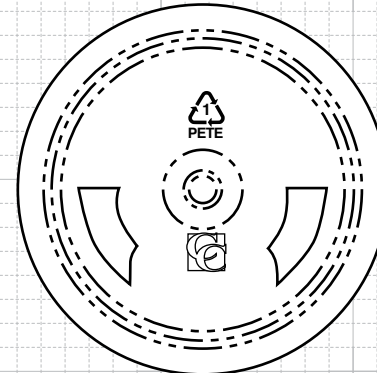
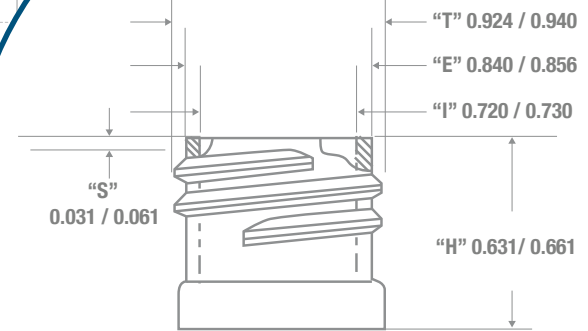
CLASSIC CONTAINERS INC
1700 S. Hellman Ave.
Ontario, CA 91761
Phone: 909-930-3610
e-mail: info@classiccontainers.com
www.classiccontainers.com



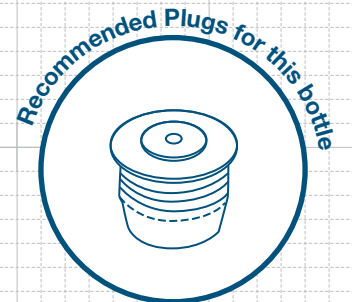
FRONT VIEW



NECK & THREAD DETAIL

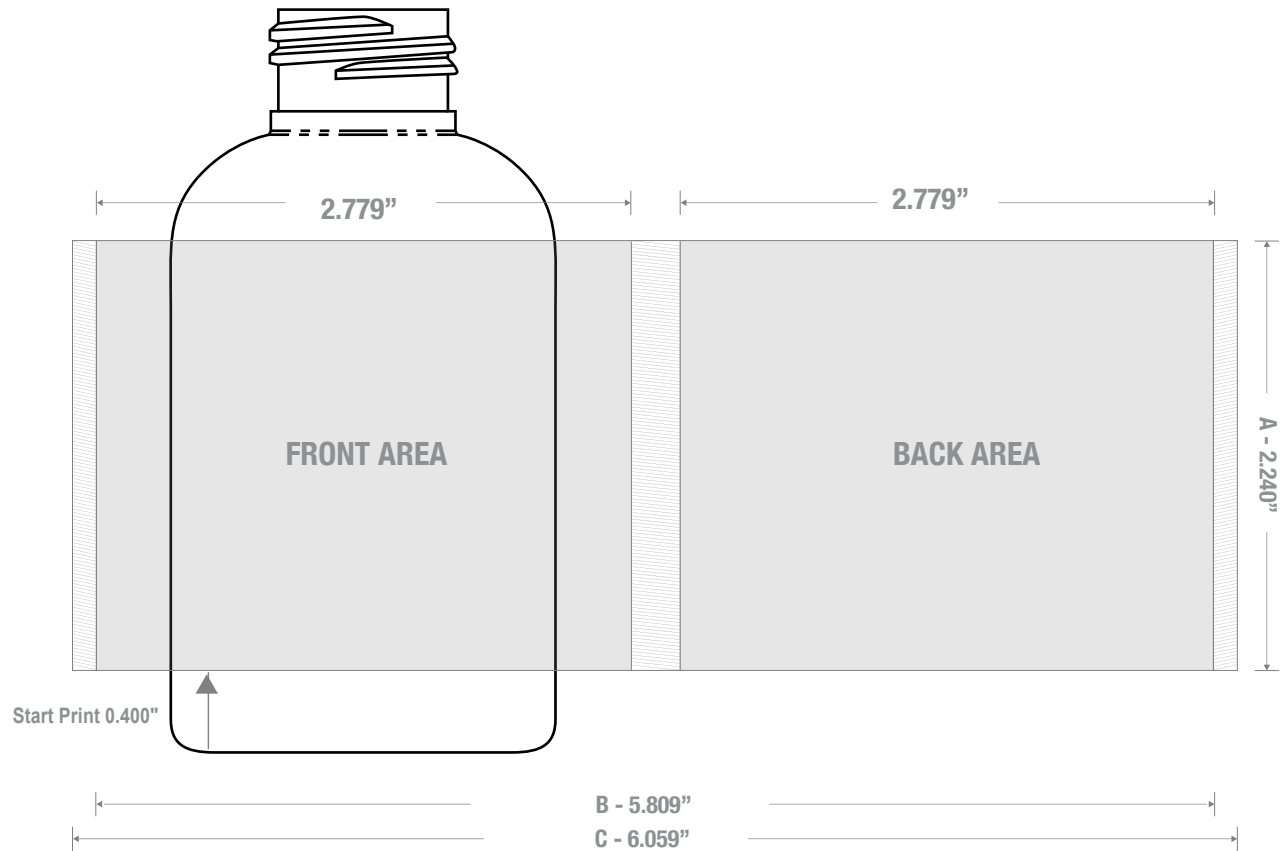


BOTTOM VIEW



FRICION FIT

PRINTING SPECIFICATIONS: 150 ml BOSTON ROUND 24/410



1700 S Hellman Ave, Ontario, California 91761
Phone: (909) 930-3610 | Fax: (909) 930-3640
e-mail: info@classiccontainers.com
www.classiccontainers.com

A - Total Height.
B - Max. Decorating Area.
C - Total bottle circumference.
▨ - Unprintable area.

LABELING SPECIFICATIONS: 150 ml BOSTON ROUND 24/410



1700 S Hellman Ave, Ontario, California 91761
Phone: (909) 930-3610 | Fax: (909) 930-3640
e-mail: info@classiccontainers.com
www.classiccontainers.com

A - Total Height.
B - Max. Decorating Area.