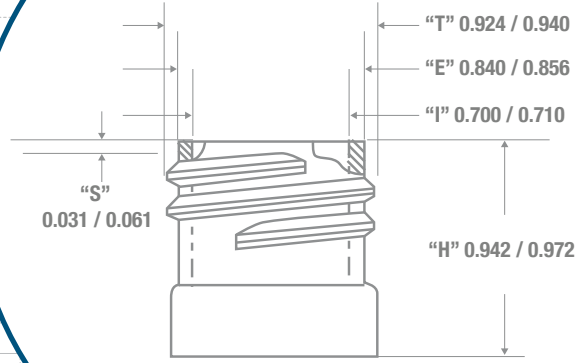
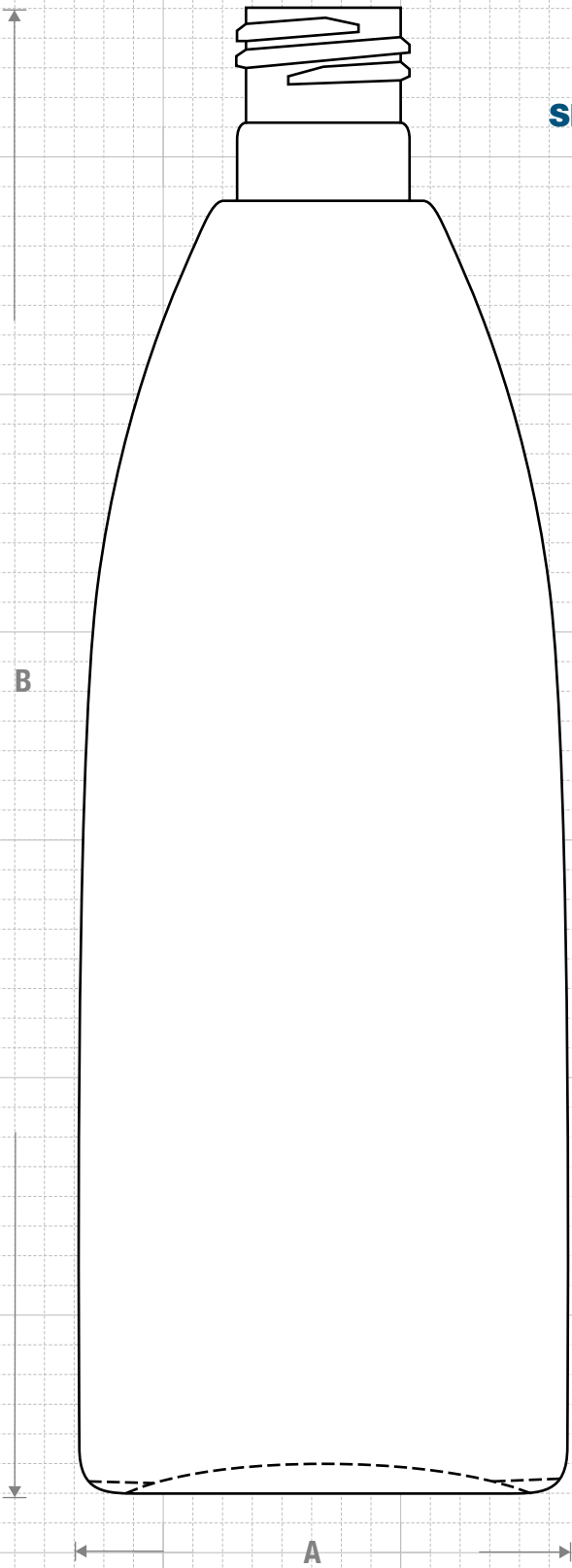




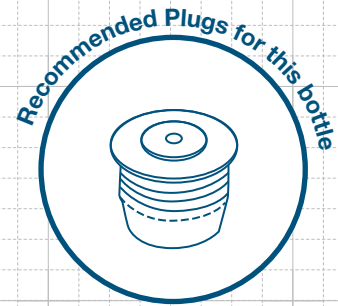
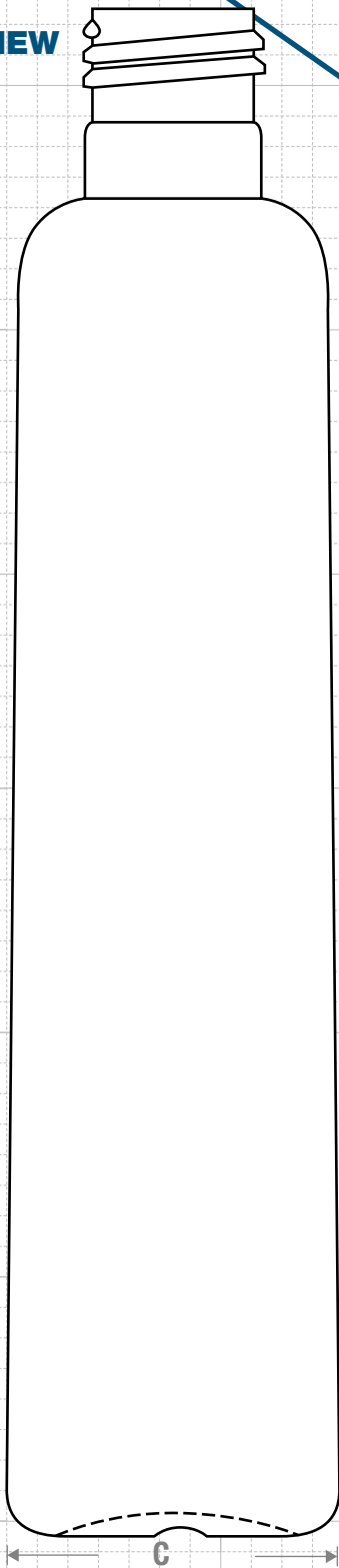
NECK & THREAD DETAIL



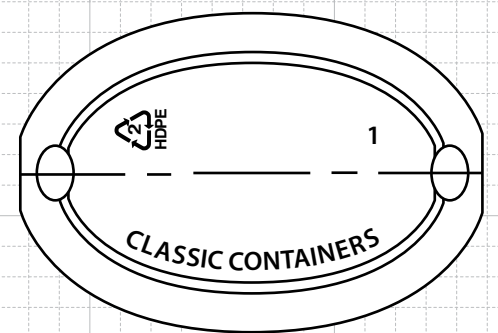
FRONT VIEW



SIDE VIEW



FRICITION FIT



BOTTOM VIEW



CLASSIC CONTAINERS INC
 1700 S. Hellman Ave.
 Ontario, CA 91761
 Phone: 909-930-3610
 e-mail: info@classiccontainers.com
 www.classiccontainers.com

Drawing:
12 oz ml Teardrop 24/415

Gram Weight:
30.0 ± 2 grs

Max Print Area (Height):
5.000"

Cases Per Pallet: **16**

Stock Code:
001200350250000

Neck Finish:
24/410

Max Print Area (Width):
 Shoulder: **1.250"** Base: **2.000"**

Box Dimensions:
24 7/16 x 18 1/2 x 23

Manufacturing Process:
Extrusion Blow Molding

Base Width (A) Base Deep (C):
2.751± 0.050 1.785± 0.050

Case Pack: **288**

Stock Material:



Overflow Capacity:
354- 372 ml (12.0- 12.6 oz)

Overall Height (B):
7.842 ± 0.050

Case Weight (lb): **21.9 ± 1.3**

Rev #3 06/2016

Drawing not exactly to size.

