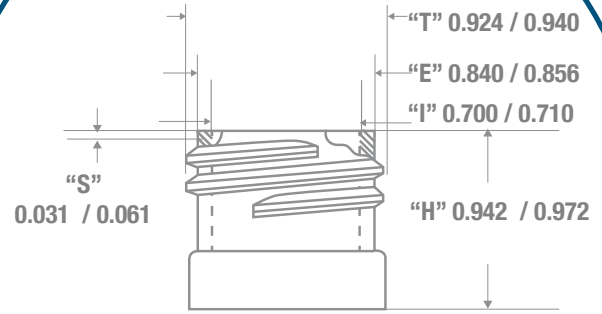
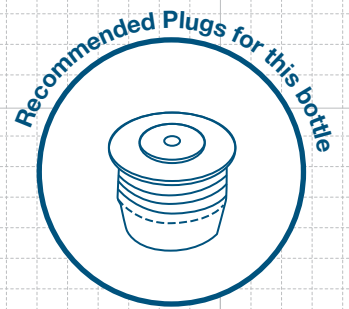
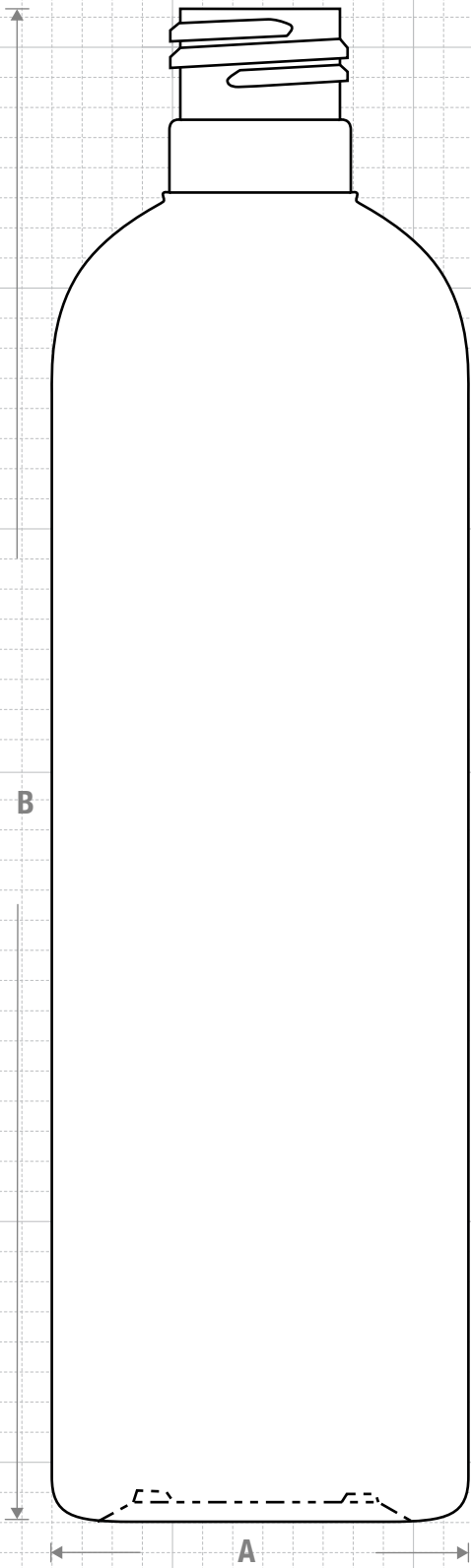




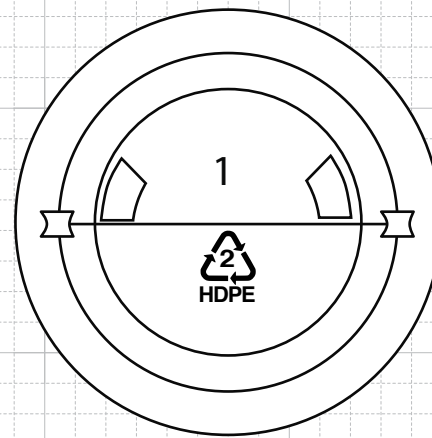
NECK & THREAD DETAIL



FRONT VIEW



FRICITION FIT



BOTTOM VIEW



CLASSIC CONTAINERS INC
 1700 S. Hellman Ave.
 Ontario, CA 91761
 Phone: 909-930-3610
 e-mail: info@classiccontainers.com
 www.classiccontainers.com

Drawing:
12 oz Royalty Round 24/415

Gram Weight:
28.5 ± 2 grs

Max Print Area (Height):
5.500"

Cases Per Pallet: **16**

Stock Code:
001200040250000

Neck Finish:
24/415

Max Print Area (Width):
6.750"

Box Dimensions:
24 7/16 x 18 1/2 x 23

Manufacturing Process:
Extrusion Blow Molding

Base Width (A):
2.215 ± 0.050

Case Pack: **288**

Stock Material:



Overflow Capacity:
386 -404 ml (13.1- 13.7 oz)

Overall Height (B):
7.790 ± 0.050

Case Weight (lb): **21.0 ± 1.3**

Rev #4 08/2019

Drawing not exactly to size.

