



Drawing:
12 oz Oblong Square 28/415 Spl

Stock Code:
0012008829S0000

Manufacturing Process:
Extrusion Blow Molding

Overflow Capacity:
372 - 395 ml (12.6 - 13.4 oz)

Gram Weight:
28 ± 2

Neck Finish:
28/415 Spl

Base Width (A):
2.030 ± 0.050

Overall Height (B):
7.700 ± 0.050

Max Print Area (Height):
5.500"

Max Print Area (Width):
1.250"

Case Pack: **324**

Case Weight (lb): **22.9 ± 1.4**

Cases Per Pallet: **16**

Box Dimensions:
24 7/16 x 18 1/2 x 23

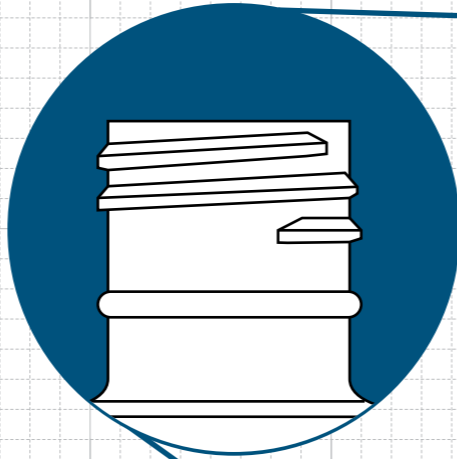
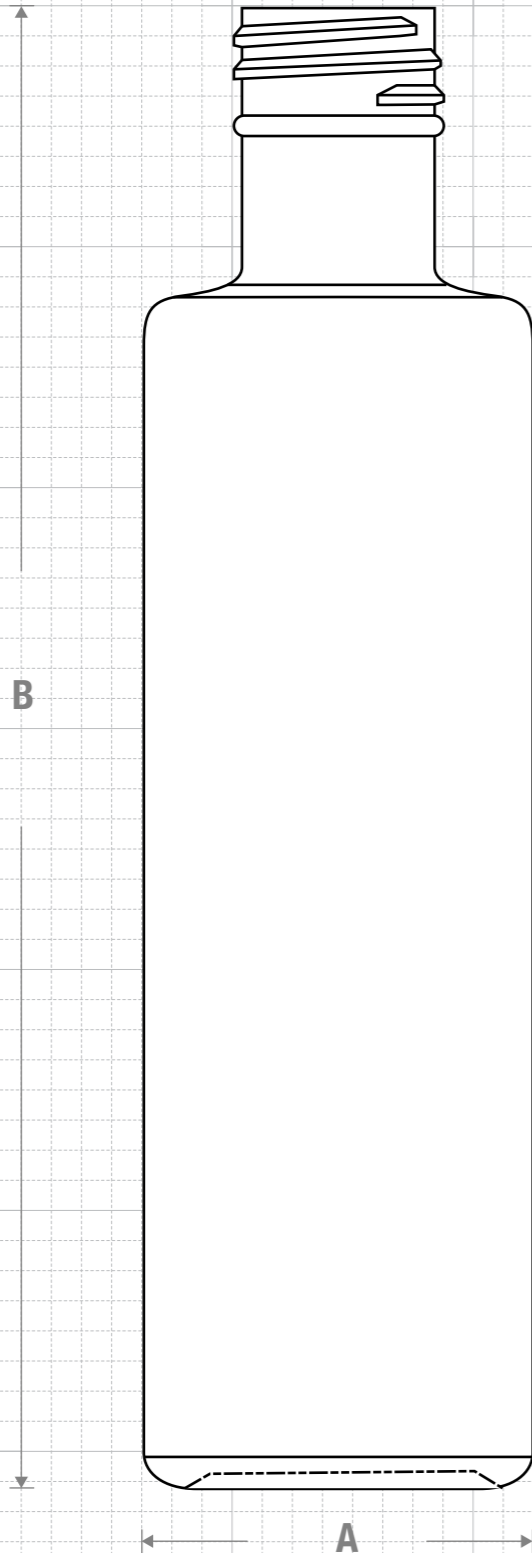
Stock Material:



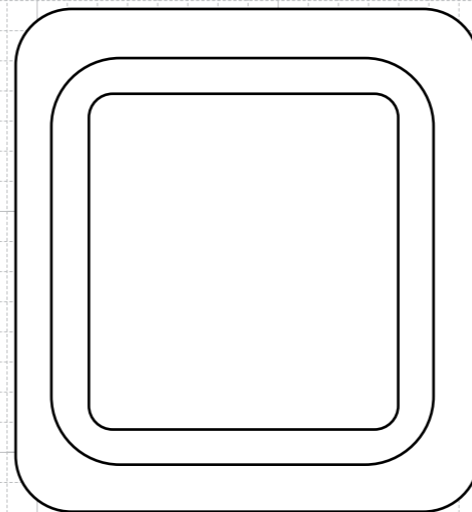
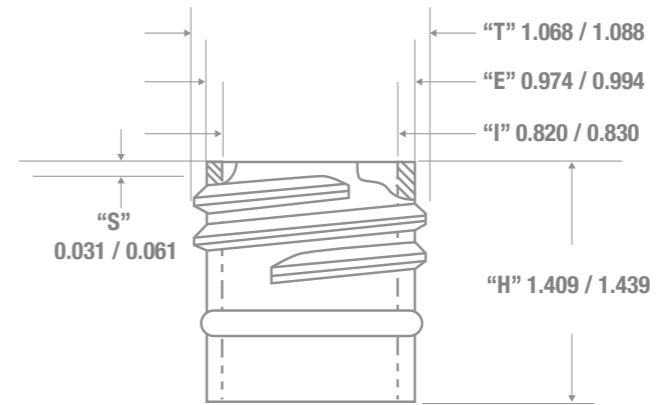
CLASSIC CONTAINERS INC

1700 S. Hellman Ave.
Ontario, CA 91761
Phone: 909-930-3610
e-mail: info@classiccontainers.com
www.classiccontainers.com

FRONT VIEW



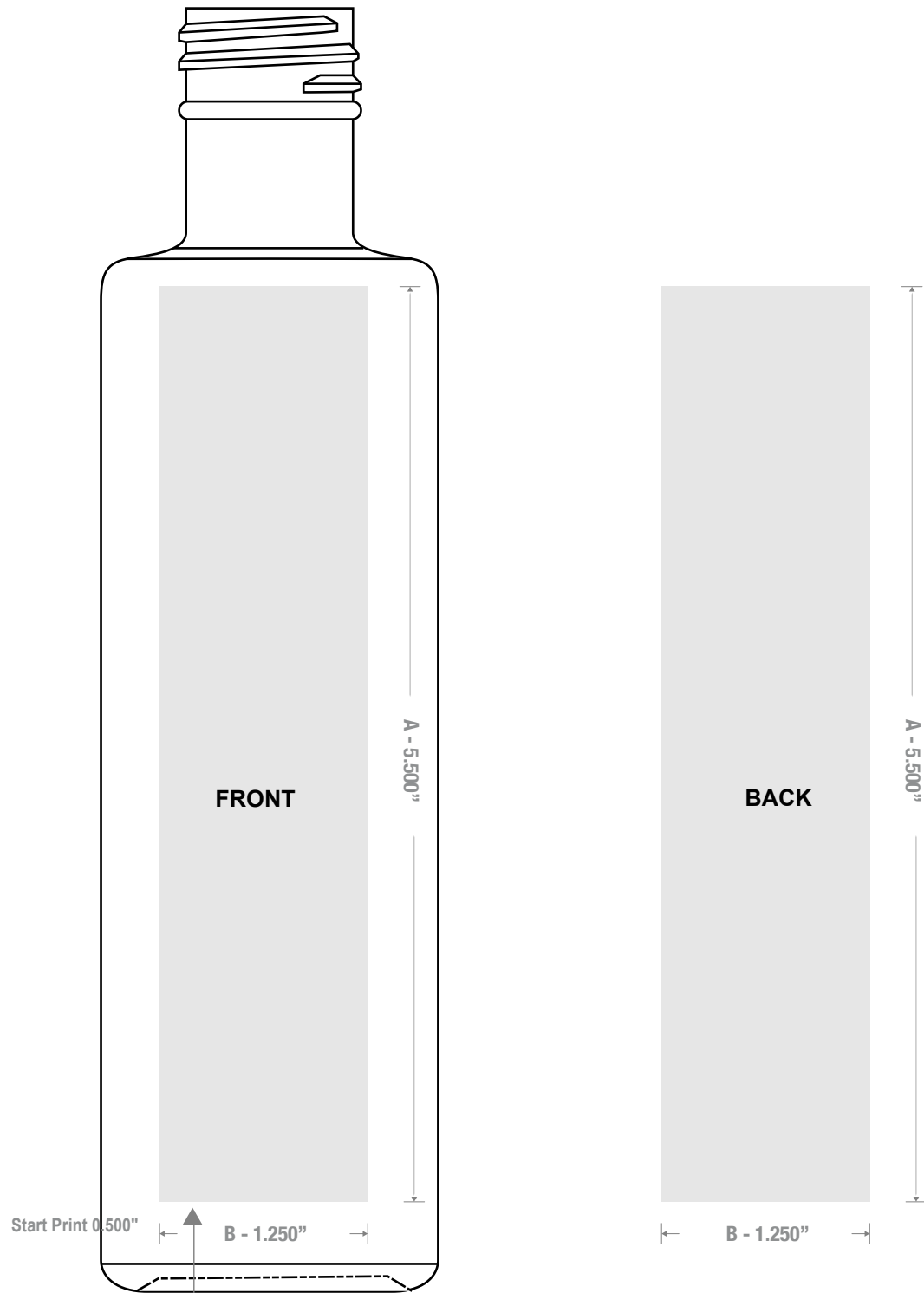
NECK & THREAD DETAIL



BOTTOM VIEW



PRINTING SPECIFICATIONS: 12 oz Oblong Square 28/415 Spl



1700 S Hellman Ave, Ontario, California 91761
Phone: (909) 930-3610 | Fax: (909) 930-3640
e-mail: info@classiccontainers.com
www.classiccontainers.com

A - Total Height.
B - Max. Decorating Area.
C - Total bottle circumference.
☐ - Unprintable area.