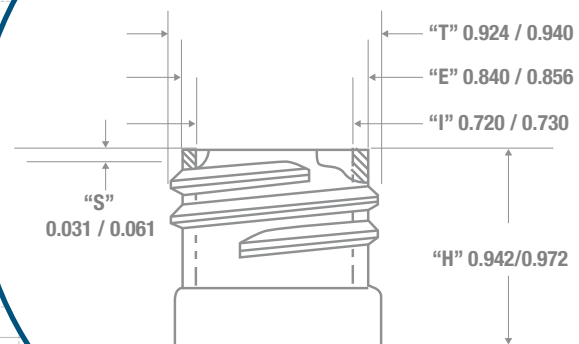
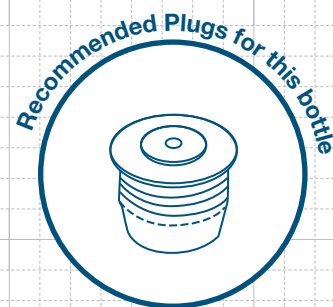
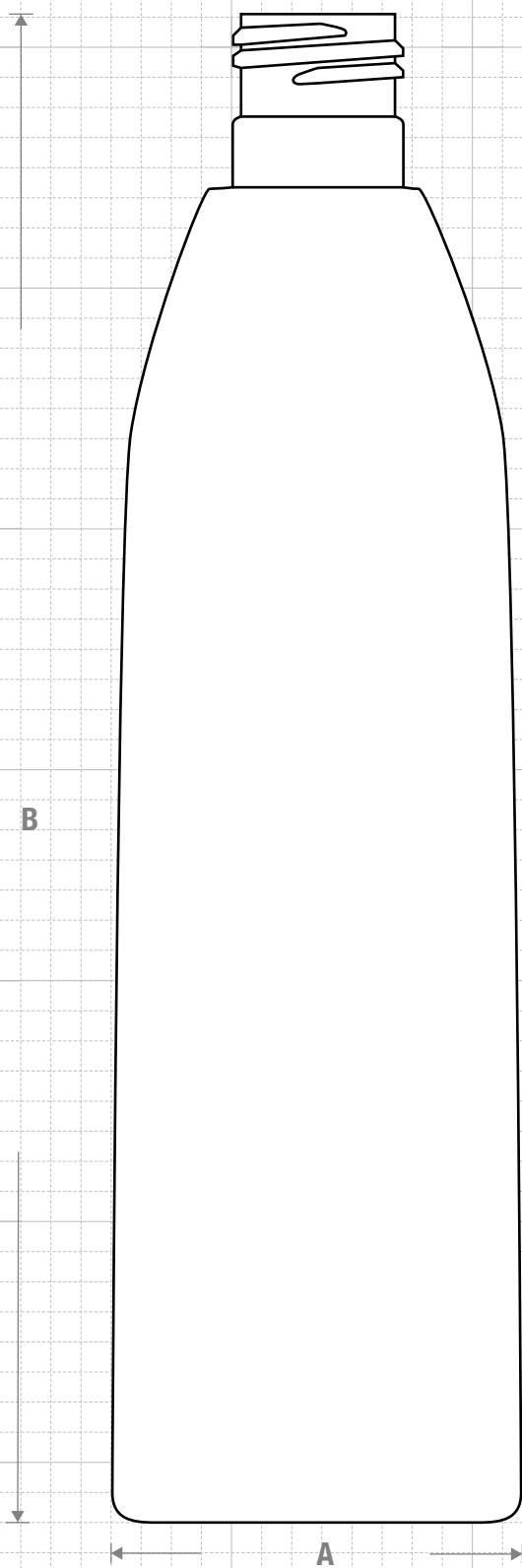




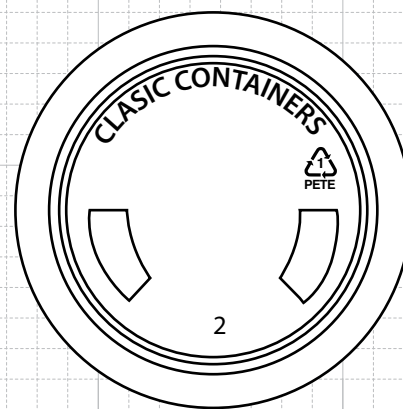
NECK & THREAD DETAIL



FRONT VIEW



FRICITION FIT



BOTTOM VIEW



CLASSIC CONTAINERS INC
 1700 S. Hellman Ave.
 Ontario, CA 91761
 Phone: 909-930-3610
 e-mail: info@classiccontainers.com
 www.classiccontainers.com

Drawing:
12 oz Evolution 24/415

Gram Weight:
31 ± 1

Max Print Area (Height):
4.750"

Cases Per Pallet: **16**

Stock Code:
001200330251700

Neck Finish:
24/415

Max Print Area (Width):
6.562"

Box Dimensions:
24 7/16 x 18 1/2 x 23

Manufacturing Process:
Stretch Blow Molding

Base Width (A):
2.163 ± 0.050

Case Pack: **315**

Stock Material:



Overflow Capacity:
360 - 378 ml (12.2- 12.8 oz)

Overall Height (B):
7.990 ± 0.050

Case Weight (lb): **24.4 ± 0.7**

Rev #3 03/2016

Drawing not exactly to size.