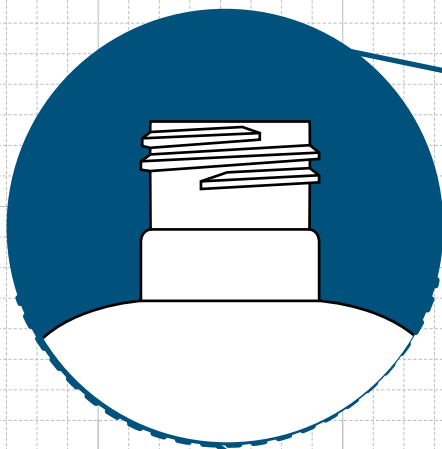
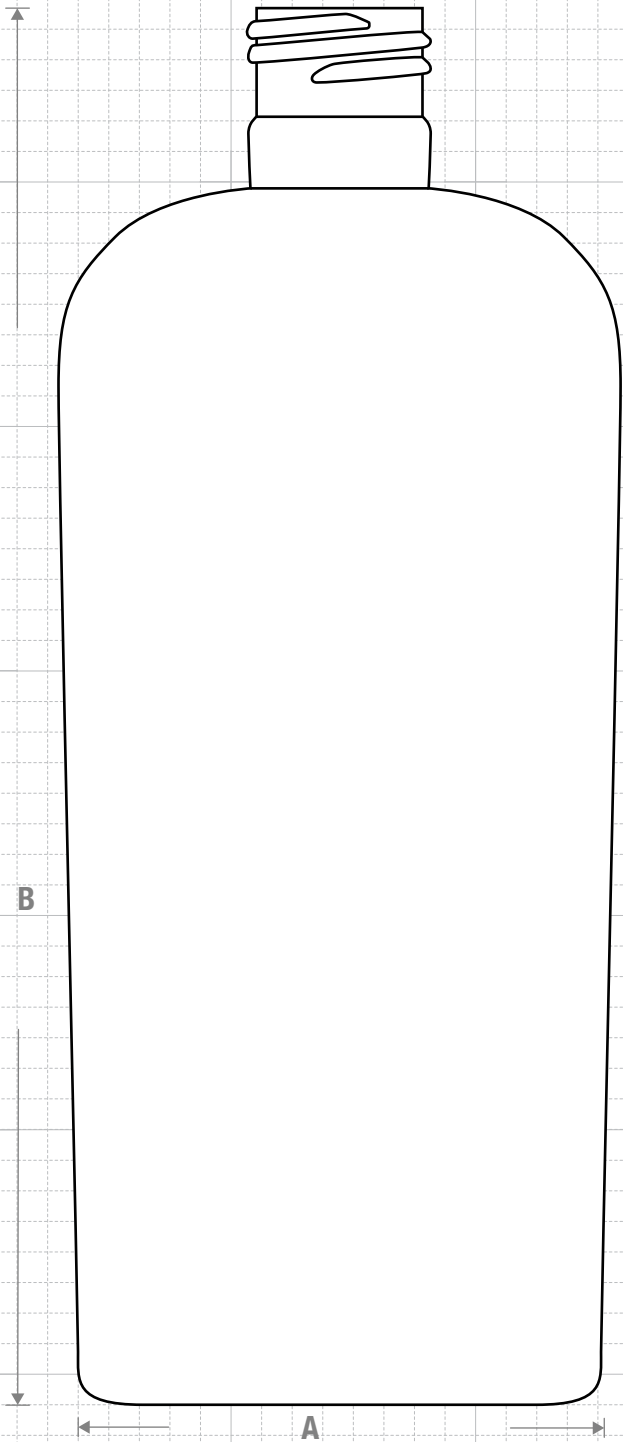
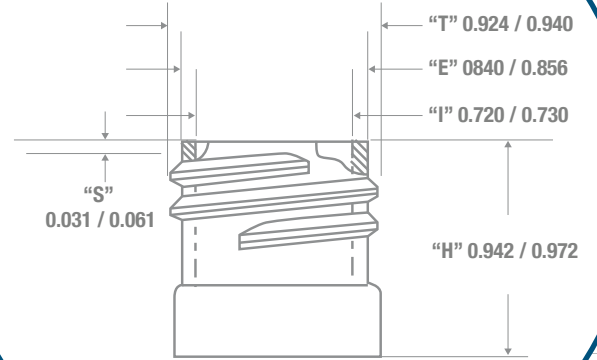




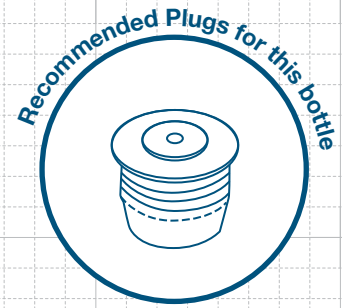
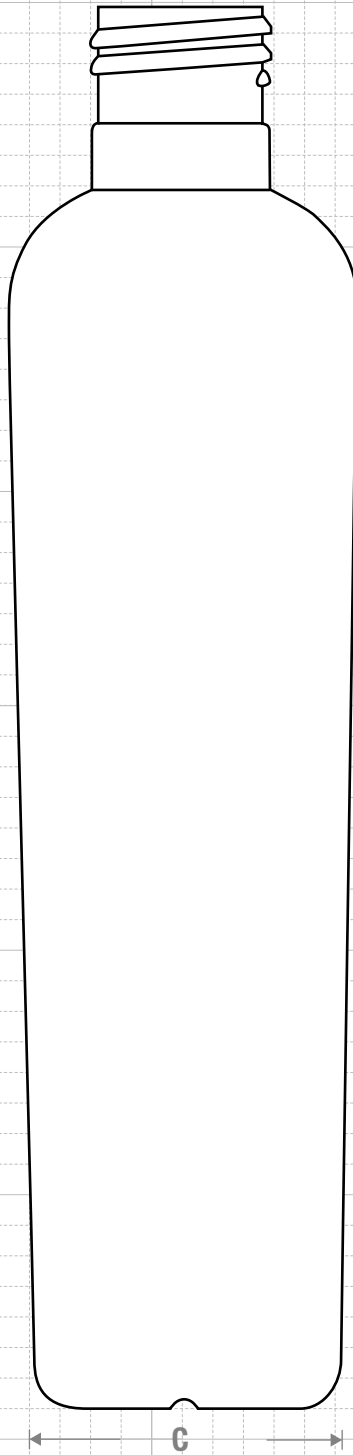
FRONT VIEW



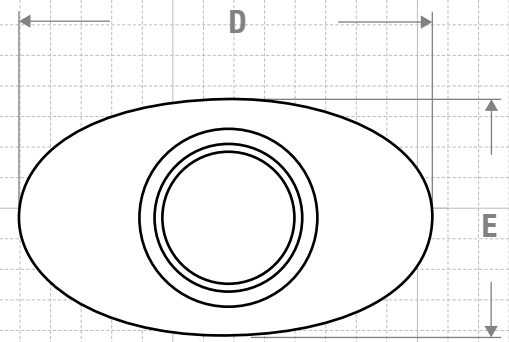
NECK & THREAD DETAIL



SIDE VIEW

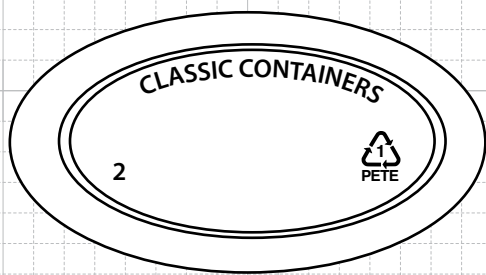


FRICION FIT



TOP VIEW

D Shoulder Width: 2.943±0.050
E Shoulder Depth: 1.802±0.050



BOTTOM VIEW



CLASSIC CONTAINERS INC
1700 S. Hellman Ave.
Ontario, CA 91761
Phone: 909-930-3610
e-mail: info@classiccontainers.com
www.classiccontainers.com

Drawing:
12 oz Classic Oval 24/415

Gram Weight:
31 ± 1

Max Print Area (Height):
5.000"

Cases Per Pallet: **16**

Stock Code:
001200230251700

Neck Finish:
24/415

Max Print Area (Width):
1.937"

Box Dimensions:
24 7/16 x 18 1/2 x 23

Manufacturing Process:
Stretch Blow Molding

Base Width (A) Base Deep (C):
2.730± 0.050 1.593± 0.050

Case Pack: **270**

Stock Material:



Overflow Capacity:
362 - 381 ml (12.3 - 12.9 oz)

Overall Height (B):
7.224 ± 0.050

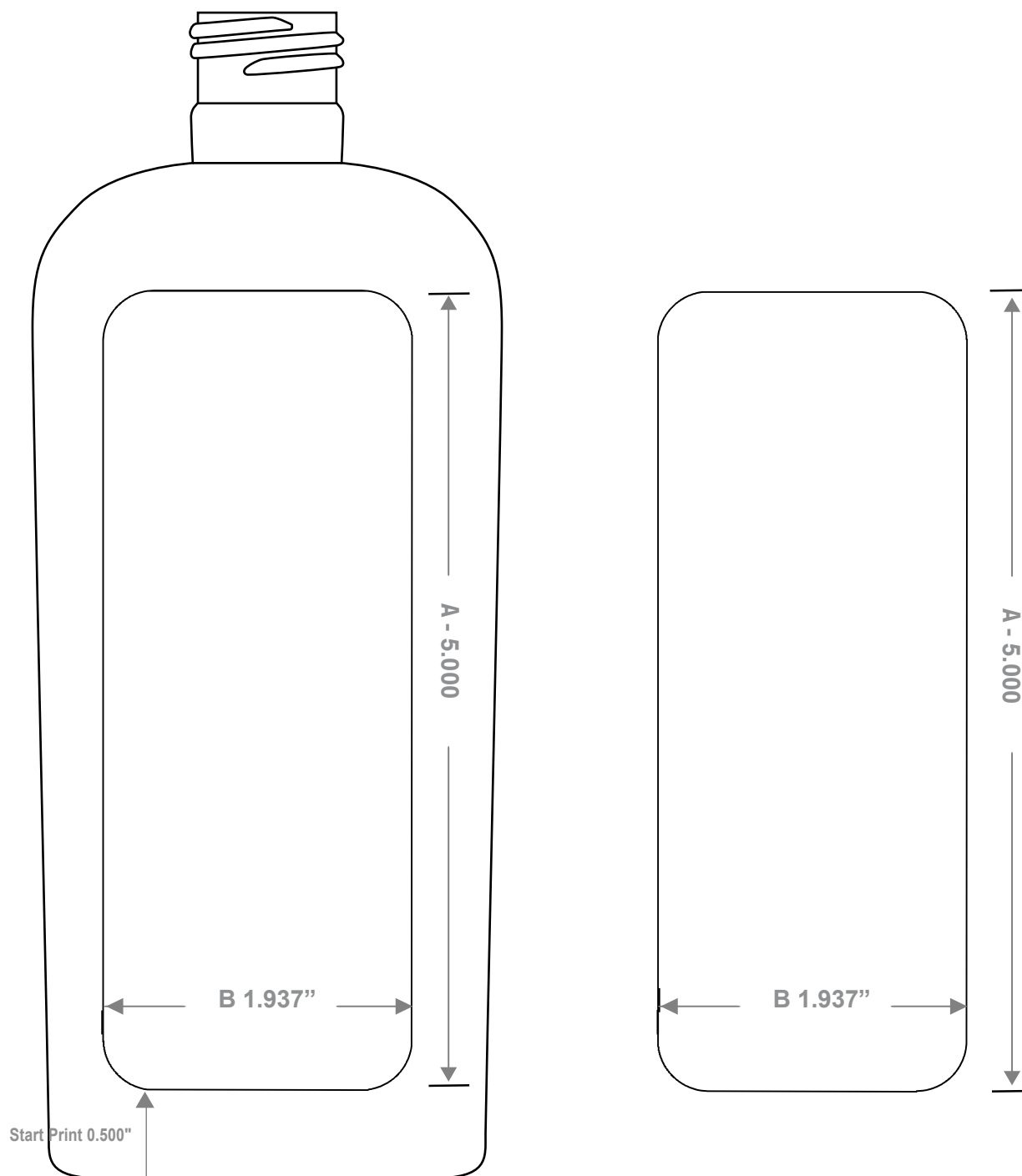
Case Weight (lb): **21.4 ± 0.6**

Rev #2 03/2016

Drawing not exactly to size.

FRONT

BACK



A - Total height.
B - max. decorating area.

March 4, 2014

**12 OZ CLASSIC OVAL PETE
LABELING AREA**

