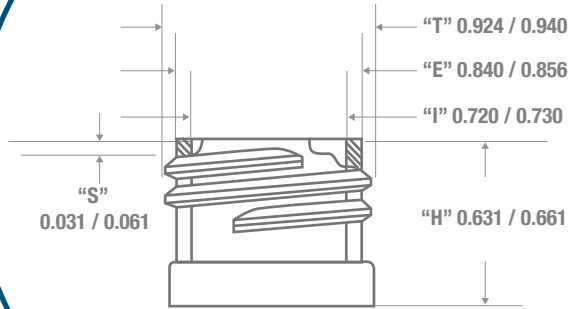
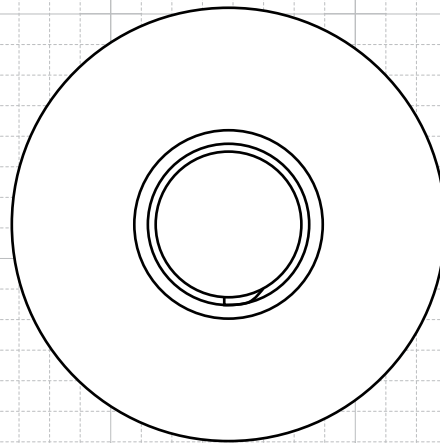
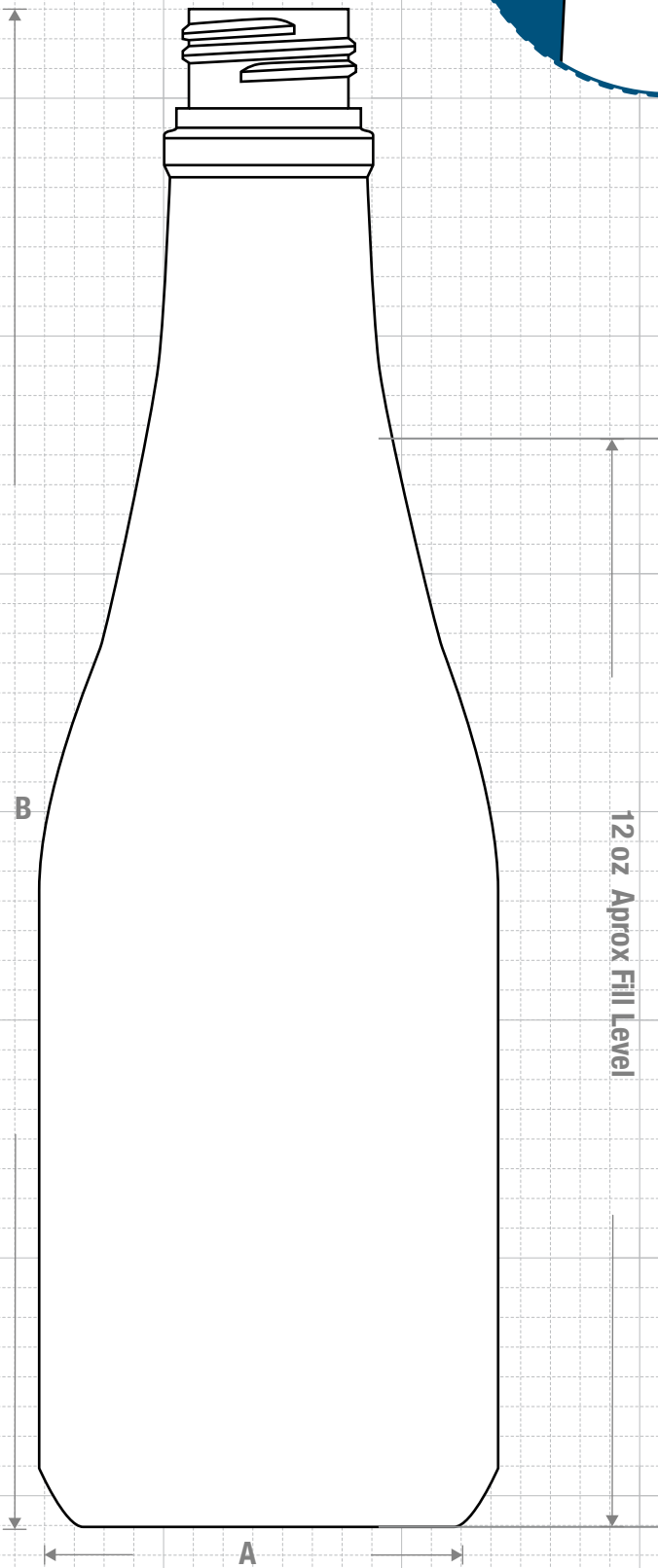




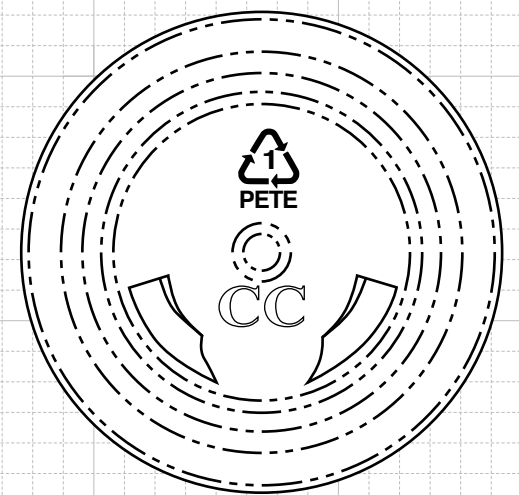
NECK & THREAD DETAIL



FRONT VIEW



TOP VIEW



BOTTOM VIEW



CLASSIC CONTAINERS INC
1700 S. Hellman Ave.
Ontario, CA 91761
Phone: 909-930-3610
e-mail: info@classiccontainers.com
www.classiccontainers.com

Drawing:
12 oz Champagne 24/410

Gram Weight:
31 ± 1

Max Print Area (Height):
2.421"

Cases Per Pallet: **16**

Stock Code:
001200890241700

Neck Finish:
24/410

Max Print Area (Width):
7.867"

Box Dimensions:
24 7/16 x 18 1/2 x 23

Manufacturing Process:
Stretch Blow Molding

Base Width (A):
2.504± 0.050

Case Pack: **252**

Stock Material:



Overflow Capacity:
378 -395 ml (12.8- 13.4 oz)

Overall Height (B):
8.115 ± 0.050

Case Weight (lb): **20.0 ± 0.6**

Rev #2 03/2016

Drawing not exactly to size.



