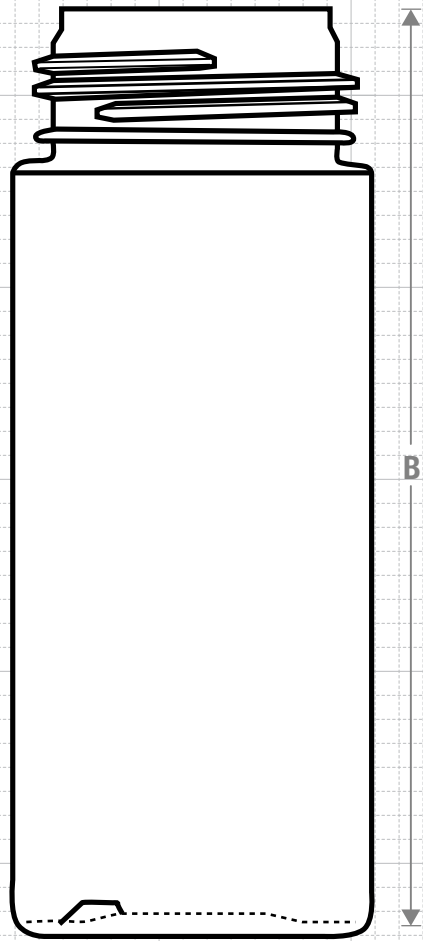




### FRONT VIEW



Drawing:  
**125 ml Classic Foamer**  
**43 mm Rieke**

Stock Code:  
**012500200440000**

Manufacturing Process:  
**Extrusion Blow Molding**

Overflow Capacity:  
**177-189 ml (6.0-6.4 oz)**

Gram Weight:  
**18± 1**

Neck Finish:  
**43 mm Rieke**

Base Width (A):  
**1.880 ± 0.050**

Overall Height (B):  
**4.750 ± 0.050**

Max Print Area (Height):  
**3.375"**

Max Print Area (Width):  
**5.625"**

Case Pack: **360**

Case Weight (lb): **16.4 ±0.8**

Cases Per Pallet: **25**

Box Dimensions:  
**23 5/8X15 9/16X17**

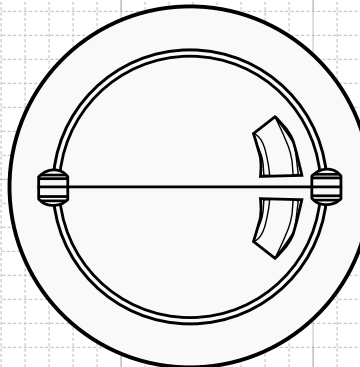
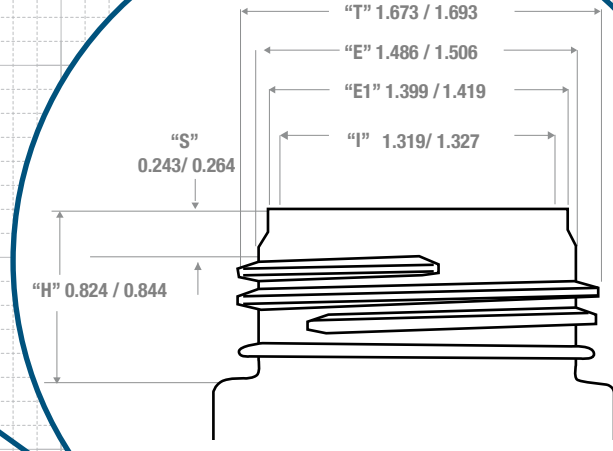
Stock Material:



### CLASSIC CONTAINERS INC

1700 S. Hellman Ave.  
Ontario, CA 91761  
Phone: 909-930-3610  
e-mail: info@classiccontainers.com  
[www.classiccontainers.com](http://www.classiccontainers.com)

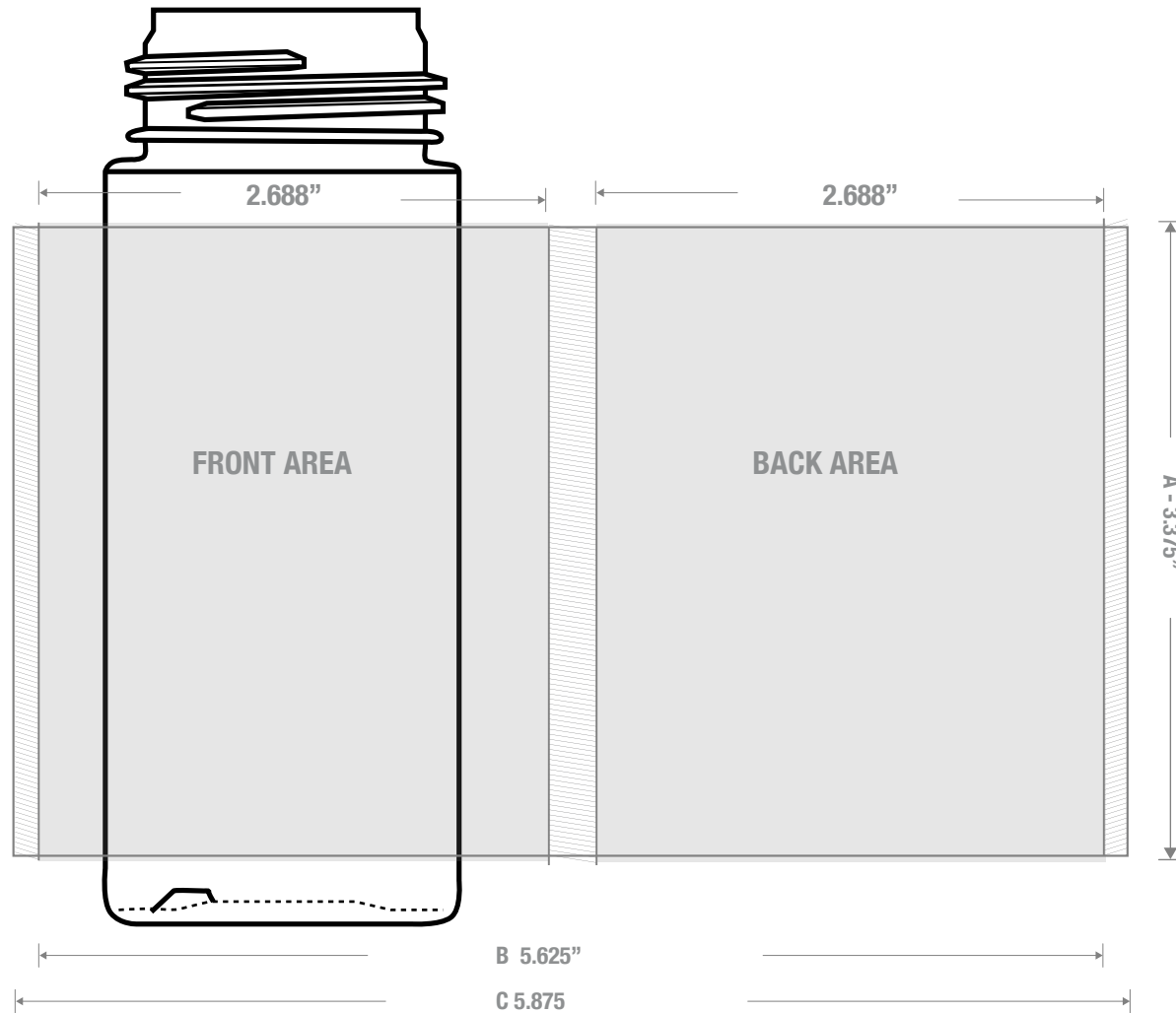
### NECK & THREAD DETAIL



### BOTTOM VIEW

**Accept:**  
**Rieke**

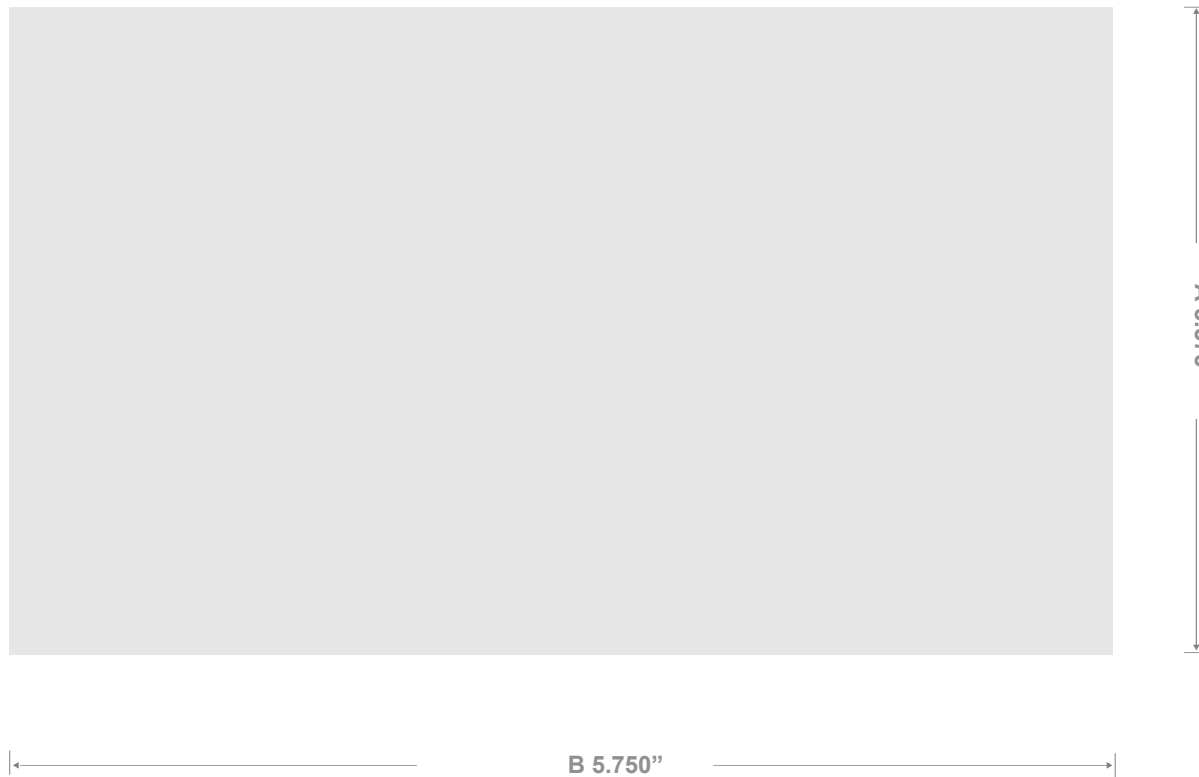
# PRINTING SPECIFICATIONS: 125 mm Classic Foamer 43 mm Rieke



1700 S Hellman Ave, Ontario, California 91761  
Phone: (909) 930-3610 | Fax: (909) 930-3640  
e-mail: [info@classiccontainers.com](mailto:info@classiccontainers.com)  
[www.classiccontainers.com](http://www.classiccontainers.com)

A - Total Height.  
B - Max. Decorating Area.  
C - Total bottle circumference.  
▨ - Unprintable area.

# LABELING SPECIFICATIONS: 125 mm Classic Foamer 43 mm Rieke



1700 S Hellman Ave, Ontario, California 91761  
Phone: (909) 930-3610 | Fax: (909) 930-3640  
e-mail: [info@classiccontainers.com](mailto:info@classiccontainers.com)  
[www.classiccontainers.com](http://www.classiccontainers.com)

**A - Total Height.**  
**B - Total bottle circumference.**