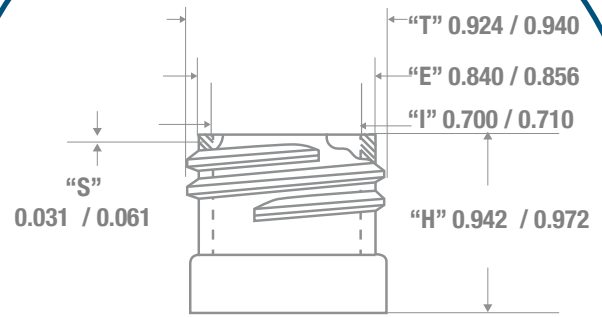
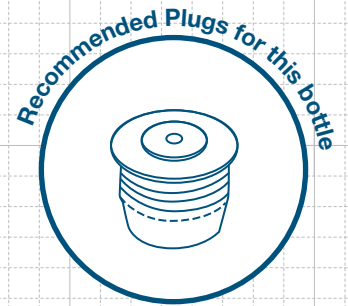
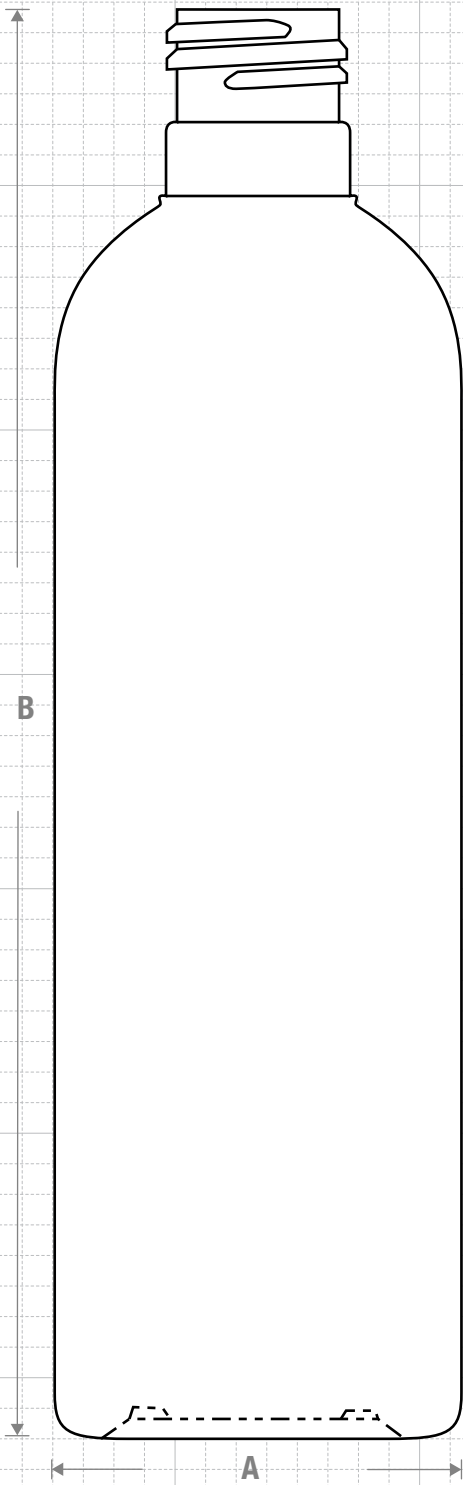




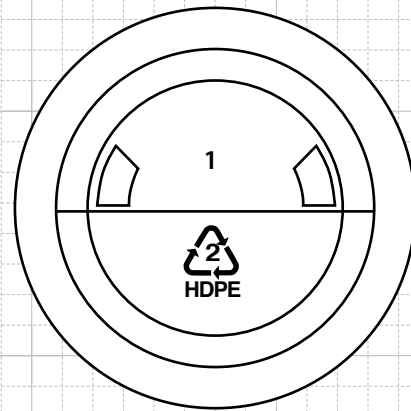
NECK & THREAD DETAIL



FRONT VIEW



FRICTION FIT



BOTTOM VIEW



CLASSIC CONTAINERS INC
 1700 S. Hellman Ave.
 Ontario, CA 91761
 Phone: 909-930-3610
 e-mail: info@classiccontainers.com
 www.classiccontainers.com

Drawing:
10 oz Royalty Round 24/415

Gram Weight:
25 ± 2

Max Print Area (Height):
5.063"

Cases Per Pallet: **16**

Stock Code:
001000040250000

Neck Finish:
24/415

Max Print Area (Width):
6.375"

Box Dimensions:
24 7/16 x 18 1/2 x 23

Manufacturing Process:
Extrusion Blow Molding

Base Width (A):
2.085 ± 0.050

Case Pack: **358**

Stock Material:



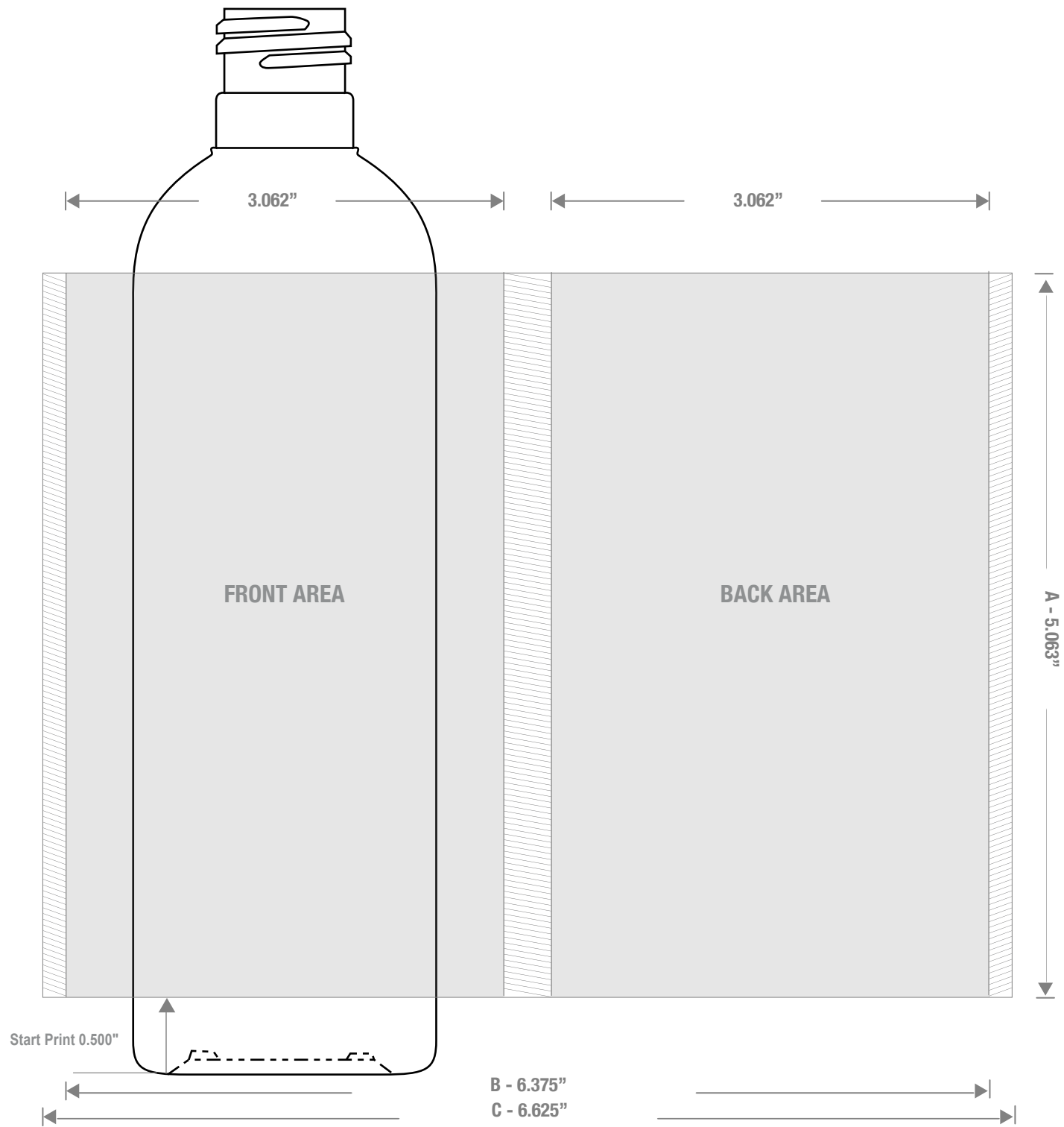
Overflow Capacity:
316- 333 ml (10.7- 11.3 oz)

Overall Height (B):
7.360 ± 0.050

Case Weight (lb): **22.6 ± 1.6**

Rev #3 08/2019

Drawing not exactly to size.





1700 S Hellman Ave, Ontario, California 91761
Phone: (909) 930-3610 | Fax: (909) 930-3640
e-mail: info@classiccontainers.com
www.classiccontainers.com

A - Total Height.
B - Total bottle circumference.