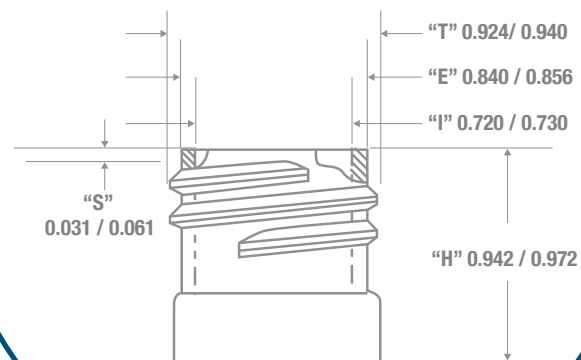
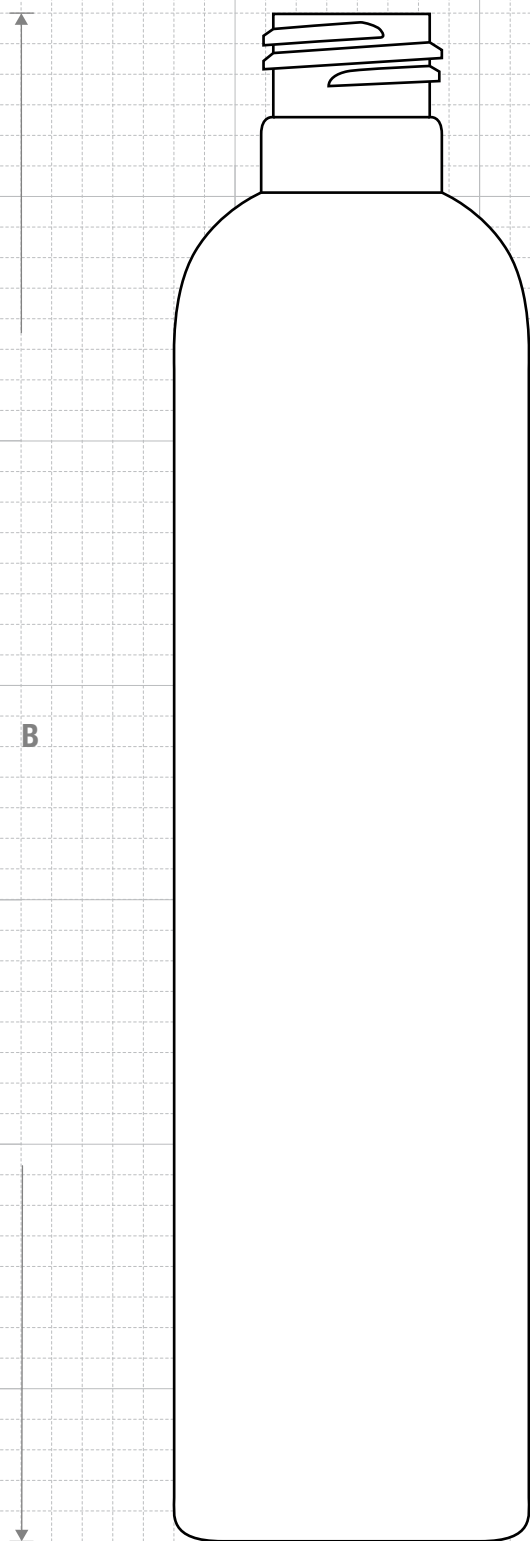


NECK & THREAD DETAIL



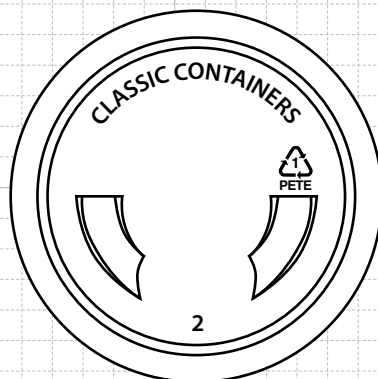
FRONT VIEW



Recommended Plugs for this bottle




FRICTION FIT



BOTTOM VIEW



CLASSIC CONTAINERS INC
 1700 S. Hellman Ave.
 Ontario, CA 91761
 Phone: 909-930-3610
 e-mail: info@classiccontainers.com
 www.classiccontainers.com

Drawing: 10 oz Imperial Round 24/415	Gram Weight: 25 ± 1	Max Print Area (Height): 5.625"	Cases Per Pallet: 16
Stock Code: 001000050251700	Neck Finish: 24/415	Max Print Area (Width): 5.937"	Box Dimensions: 24 7/16 x 18 1/2 x 23
Manufacturing Process: Stretch Blow Molding	Base Width (A): 1.933 ± 0.050	Case Pack: 396	Stock Material: 
Overflow Capacity: 304 - 322 ml (10.3 - 10.9 oz)	Overall Height (B): 7.924 ± 0.050	Case Weight (lb): 24.7 ± 0.9	Rev #2 03/2016 Drawing not exactly to size.