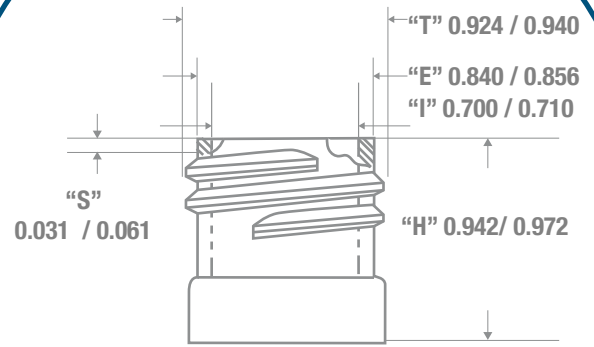
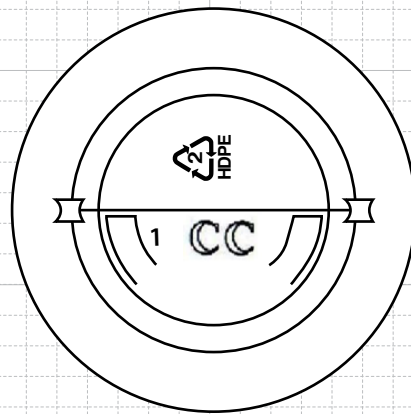
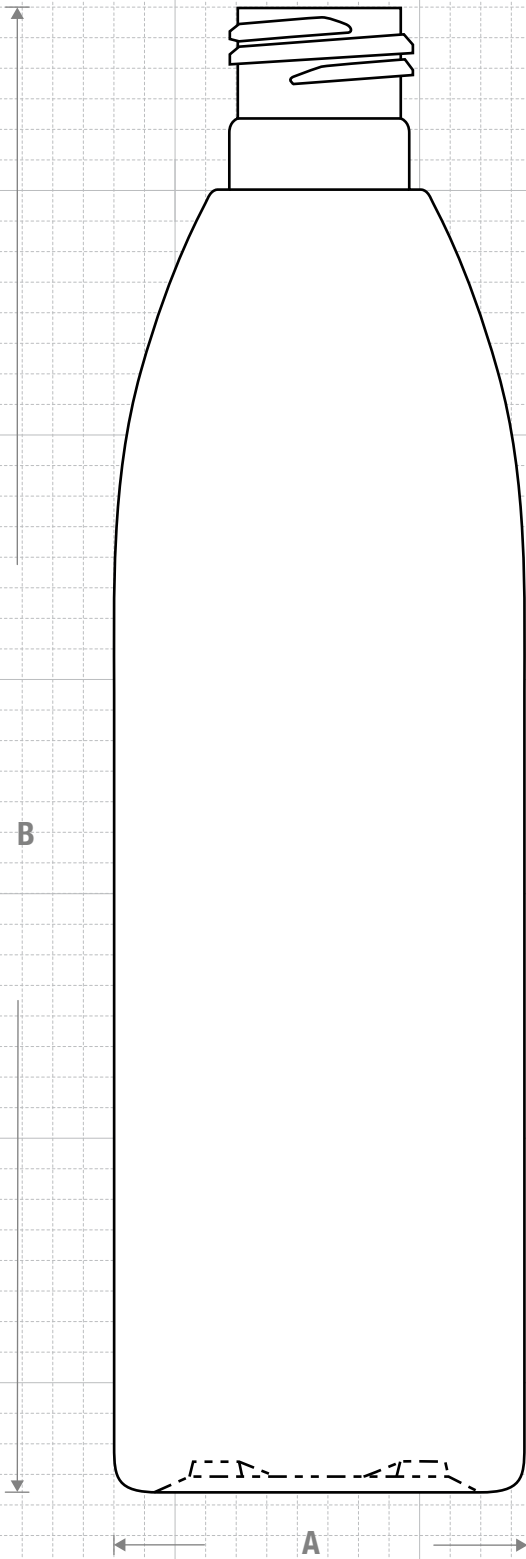




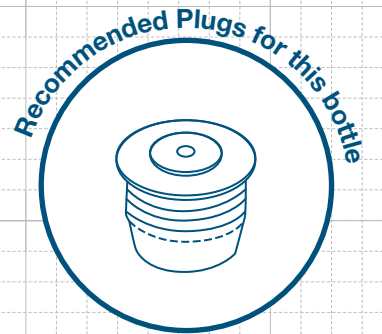
### NECK & THREAD DETAIL



### FRONT VIEW



### BOTTOM VIEW



### FRICTION FIT



**CLASSIC CONTAINERS INC**  
 1700 S. Hellman Ave.  
 Ontario, CA 91761  
 Phone: 909-930-3610  
 e-mail: info@classiccontainers.com  
 www.classiccontainers.com

Drawing:  
**10 oz Evolution 24/415**

Gram Weight:  
**26 ± 2**

Max Print Area (Height):  
**4.500"**

Cases Per Pallet: **16**

Stock Code:  
**001000330250000**

Neck Finish:  
**24/415**

Max Print Area (Width):  
**6.250"**

Box Dimensions:  
**24 7/16 x 18 1/2 x 23**

Manufacturing Process:  
**Extrusion Blow Molding**

Base Width (A):  
**2.090± 0.050**

Case Pack: **330**

Stock Material:



Overflow Capacity:  
**319 - 336 ml (10.7 - 11.3 oz)**

Overall Height (B):  
**7.711 ± 0.050**

Case Weight (lb): **21.8 ± 1.5**

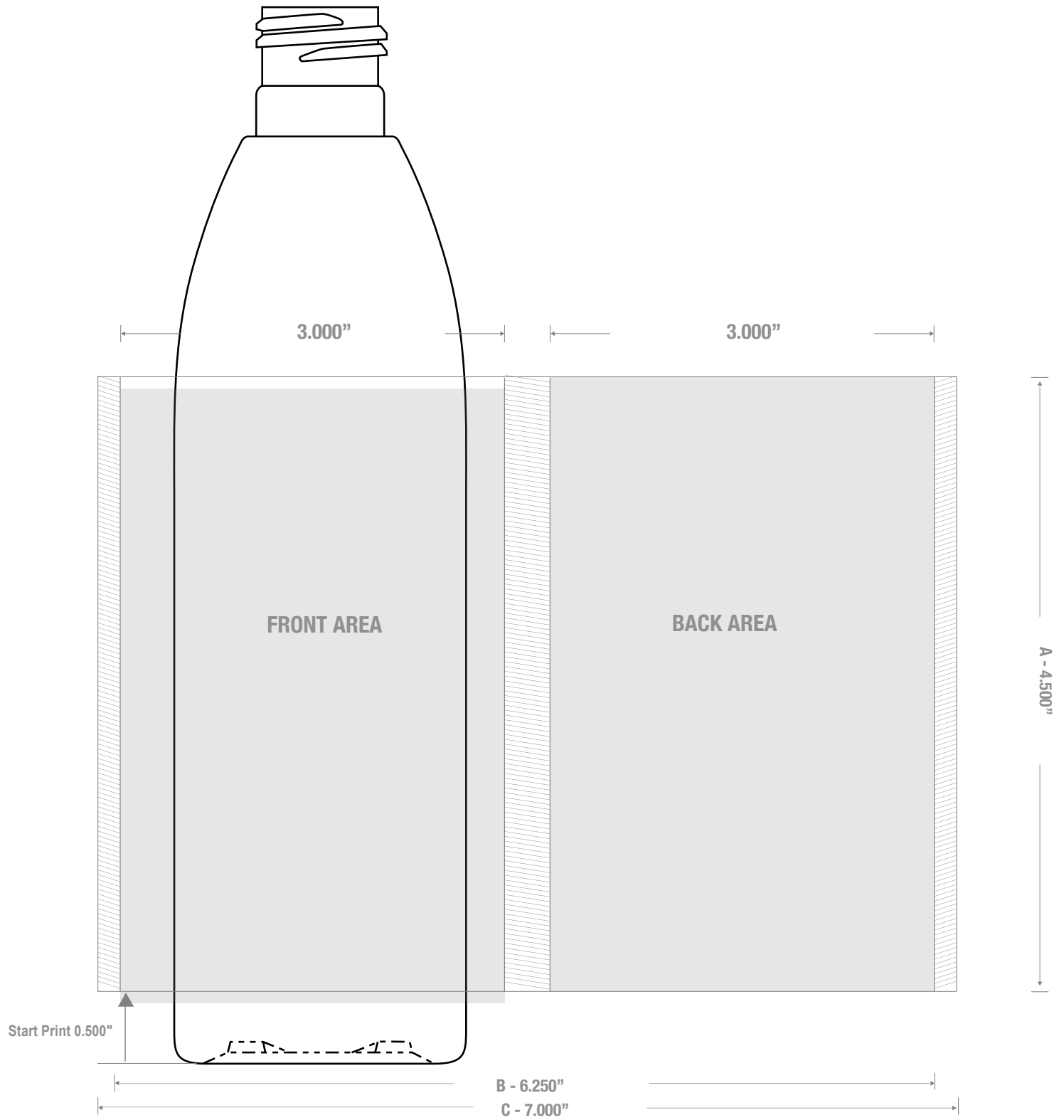
Rev #5 06/2021

Drawing not exactly to size.

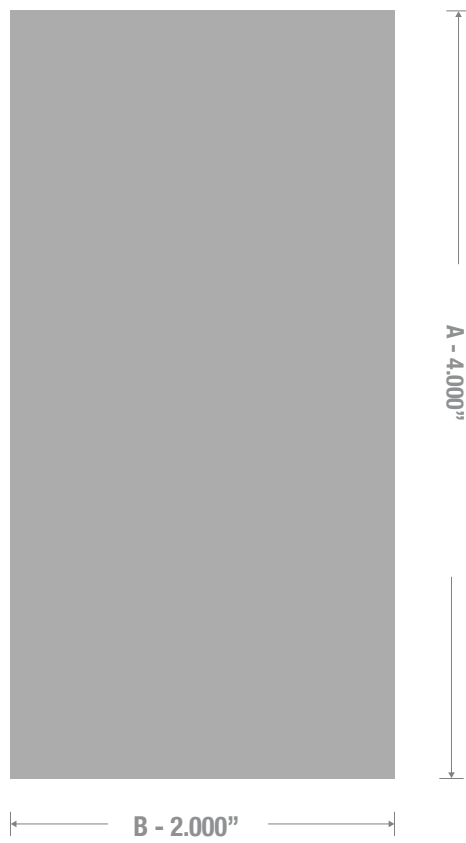


1700 S Hellman Ave, Ontario, California 91761  
Phone: (909) 930-3610 | Fax: (909) 930-3640  
e-mail: [info@classiccontainers.com](mailto:info@classiccontainers.com)  
[www.classiccontainers.com](http://www.classiccontainers.com)

**A - Total Height.**  
**B - Total bottle circumference.**



FRONT



BACK

