



Drawing:
10 ml Boston Round 15/415

Stock Code:
0000000000000000

Manufacturing Process:
Extrusion Blow Molding

Overflow Capacity:
13.5 15.0 ml (0.46 - 0.51 oz)

Gram Weight:
2.3 ± 0.5

Neck Finish:
15/415

Base Width (A):
0.984 ± 0.050

Overall Height (B):
1.803 ± 0.050

Max Print Area (Height):
N/A

Max Print Area (Width):
N/A

Case Pack: 3400

Case Weight (lb): 19.4 ± 3.7

Cases Per Pallet: 25

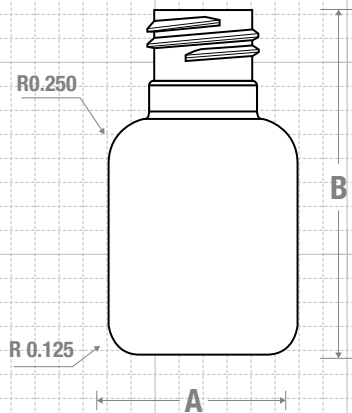
Box Dimensions:
23 5/8 x 15 9/16 x 17

Stock Material:

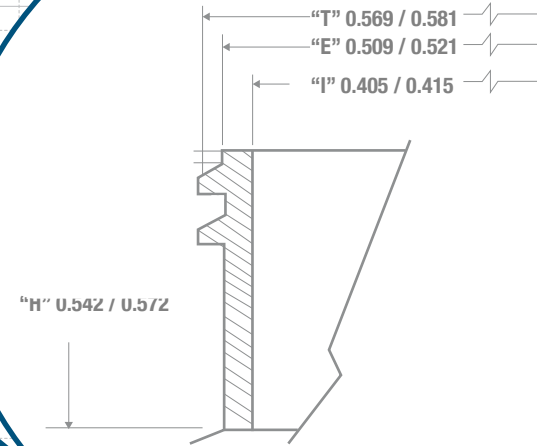


CLASSIC CONTAINERS INC
1700 S. Hellman Ave.
Ontario, CA 91761
Phone: 909-930-3610
e-mail: info@classiccontainers.com
www.classiccontainers.com

FRONT VIEW

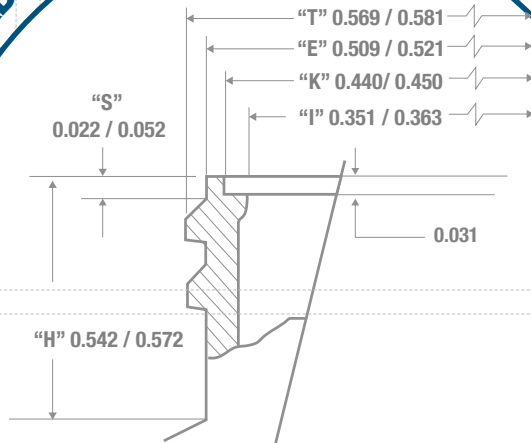


THREAD DETAIL



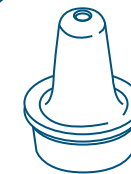
OPTION 1: FRICTION FIT
Stock Code: 010M000601500FF

THREAD DETAIL



OPTION 1: SNAP FIT
Stock Code: 010M0006015SF

Recommended Plugs for this bottle



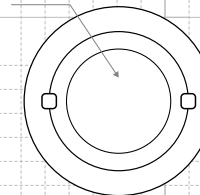
SNAP FIT

Recommended Cap for this bottle



DROPPER TIP CAP

CAV I.D.



BOTTOM VIEW

LABELING SPECIFICATIONS: 10ml BOSTON ROUND



1700 S Hellman Ave, Ontario, California 91761
Phone: (909) 930-3610 | Fax: (909) 930-3640
e-mail: info@classiccontainers.com
www.classiccontainers.com

A - Total Height.
B - Max. Decorating Area.