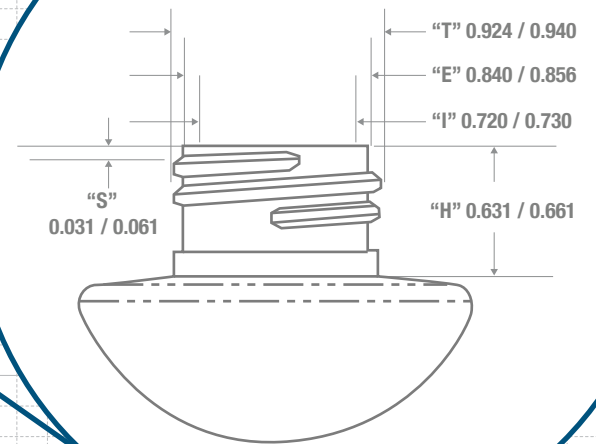
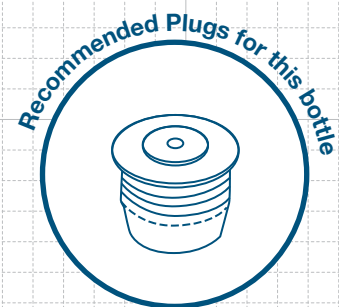
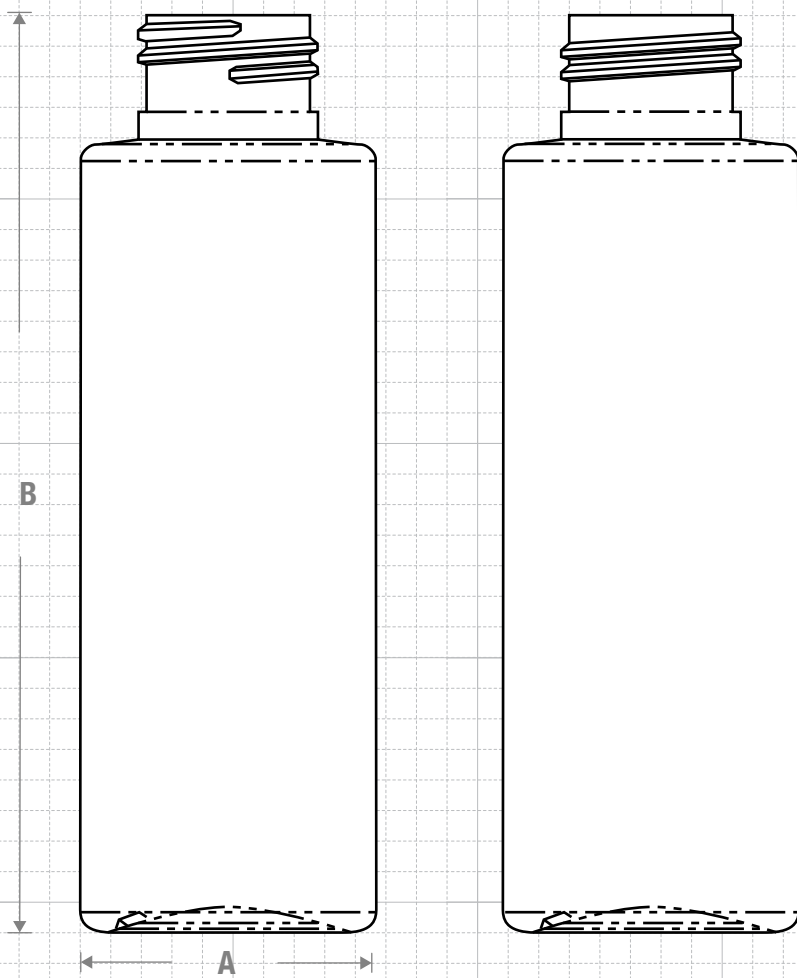


NECK & THREAD DETAIL

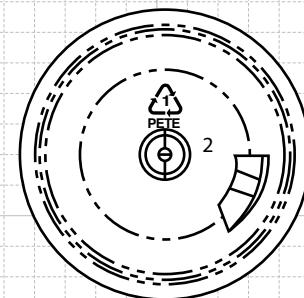


FRONT VIEW

RIGHT VIEW



FRICITION FIT



BOTTOM VIEW



CLASSIC CONTAINERS INC
 1700 S. Hellman Ave.
 Ontario, CA 91761
 Phone: 909-930-3610
 e-mail: info@classiccontainers.com
 www.classiccontainers.com

Drawing: 100 ml Cylinder Round 24/410	Gram Weight: 15 ± 1	Max Print Area (Height): 3.407"	Cases Per Pallet: 25
Stock Code: 010000010241715	Neck Finish: 24/410	Max Print Area (Width): 4.638"	Box Dimensions: 23 5/8 x15 9/16 x17
Manufacturing Process: Stretch Blow Molding	Base Width (A): 1.540 ± 0.050	Case Pack: 525	Stock Material:
Overflow Capacity: 112 -121 ml (3.80 - 4.10 oz)	Overall Height (B): 4.773 ± 0.050	Case Weight(lb): 19.5 ± 1.2	Rev #0 11/2018 Drawing not exactly to size.

