



Drawing:
30 ml Boston Round
24/410

Stock Code:
030M00060240000

Manufacturing Process:
Stretch Blow Molding

Overflow Capacity:
39.8 - 43.8 ml (1.35 - 1.49 oz)

Gram Weight:
7 ± 1

Neck Finish:
24/410

Base Width (A):
1.242 ± 0.040

Overall Height (B):
2.835 ± 0.050

Max Print Area (Height):

Max Print Area (Width):

Case Pack: 1512

Case Weight (lb): 13.3 ± 0.7

Cases Per Pallet: 25

Box Dimensions:
23 5/8 x 15 9/16 x 17

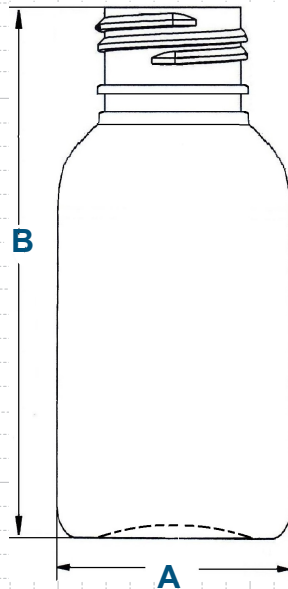
Stock Material:



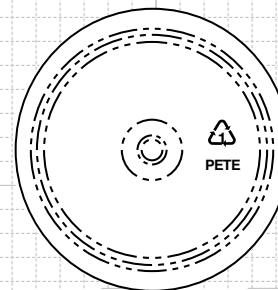
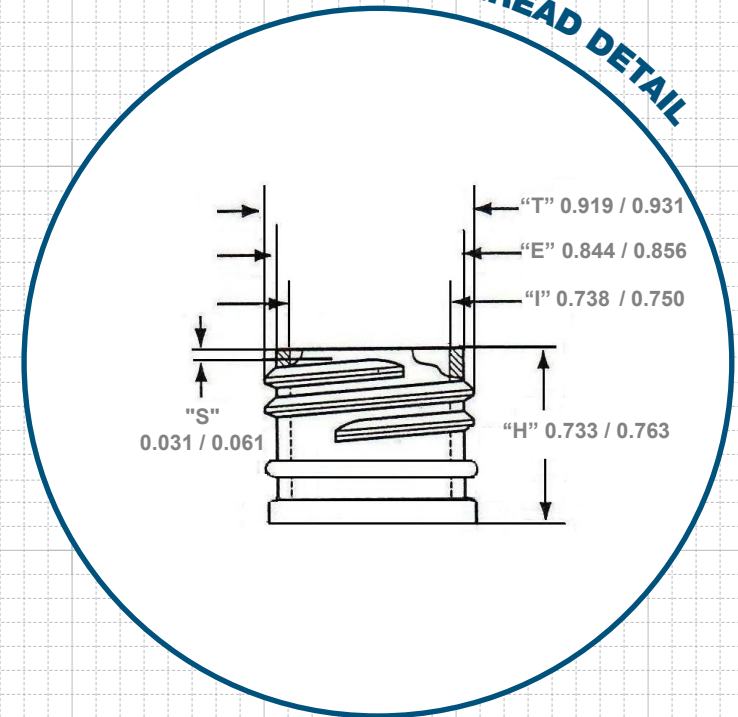
CLASSIC CONTAINERS INC
1700 S. Hellman Ave.
Ontario, CA 91761
Phone: 909-930-3610
e-mail: info@classiccontainers.com
www.classiccontainers.com



FRONT VIEW



NECK & THREAD DETAIL



BOTTOM VIEW