



Drawing:
**15 mm Dropper Tip Square
End Controlled Snap Fit**

Stock Code:
15T000800070000

Manufacturing Process:
Injection Molding

Color:
Natural

Gram Weight:
0.37 ± 0.05

Case Pack:
4800

Case Weight (lb):
4.4 ± 0.5

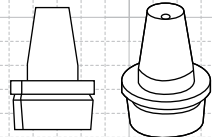
Cases Per Pallet:
160

Box Dimensions:
8 1/4 x 8 1/4 x 6 1/2

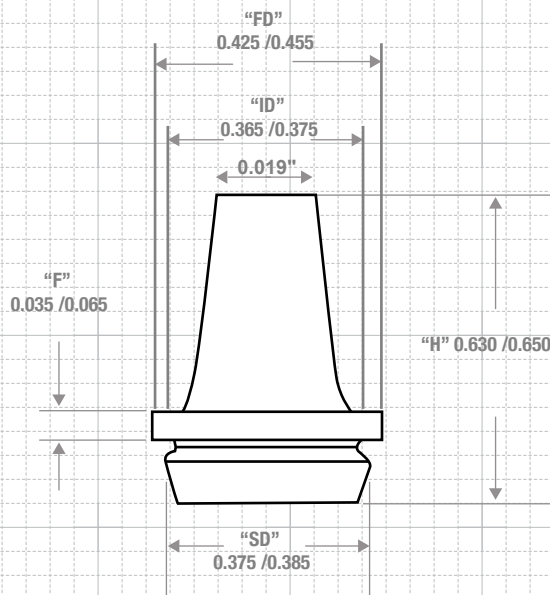
Stock Material:



CLASSIC CONTAINERS INC
1700 S. Hellman Ave.
Ontario, CA 91761
Phone: 909-930-3610
e-mail: info@classiccontainers.com
www.classiccontainers.com



ACTUAL SIZE



RECOMENDED NECK FINISH
LAND AREA MUST BE SMOOTH

